

# Two-Way Line Array **Galeo S**



A compact, general purpose high performance line array featuring a number of innovative acoustical and mechanical solutions. This 2 x 6,5" / 1,4" system has an integrated crossover, and therefore requires only one amplifier channel. The Galeo S is a visually inobtrusive sound reinforcement system equally suited to high end permanent installations and demanding tour applications. A choice of horizontal coverage angles of 70° or 100° is provided by the interchangeable AMR horn elements. The maximum splay angle of 16° allows for a high degree of curvature in the line array with a small number of cabinets.

## PRODUCT SPECIFICATIONS (for one unit GALEO S)

<b>Speaker Components</b>	2 x 6,5" Nd (2" VC) / 1,4" Nd (2,5" VC)
<b>Description</b>	Two-Way Line Array Unit
<b>Power</b> AES / Peak	400 W / 1200 W
<b>Impedance</b> nominal	16 Ω
<b>SPL</b> 1 W / Peak @ 1m	95 dB / 126 dB
<b>Usable Range</b>	80 Hz - 18 kHz (-6 dB)
<b>Tuning Frequency</b> excursion minimum	90 Hz
<b>X-Overpoint</b> acoustical	1 kHz
<b>Coverage</b> horizontal x vertical	100° x 16° (100°-version) 70° x 16° (70°-version)
<b>Max. Splay Angle</b>	16°
<b>Connectors</b>	2 x Speakon NL4MP in/out Coding: 1 +/- HiMid, 2 +/- loop thru
<b>Handles</b>	2 x
<b>Rigging / Fittings</b>	2 x M10 Integrated flying hardware
<b>Weight</b>	13,5 kg
<b>Size</b> height x width x depth	19,0 x 45,0 x 38,5 cm
<b>Order No.</b>	<b>00450/100</b> (100°-version) <b>00450/70</b> (70°-version)



Flying Frame.

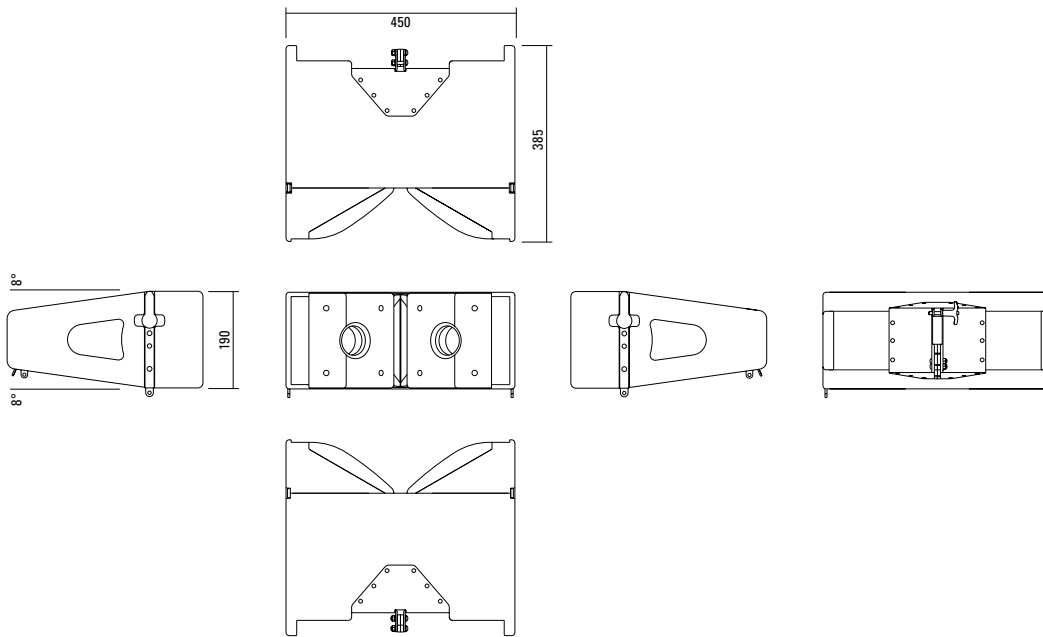


Integrated and recessed flying hardware.



Auto-locking flying fixtures.

## DIMENSIONS

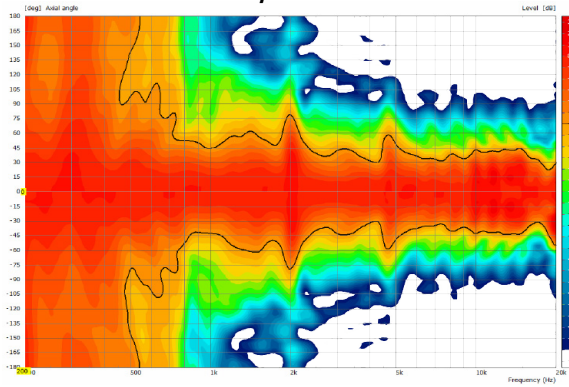


Controller Setups:

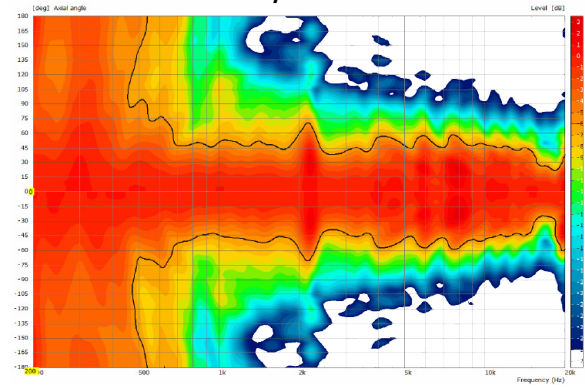
<http://www.seeburg.net/en/downloads>

## COVERAGE PATTERNS

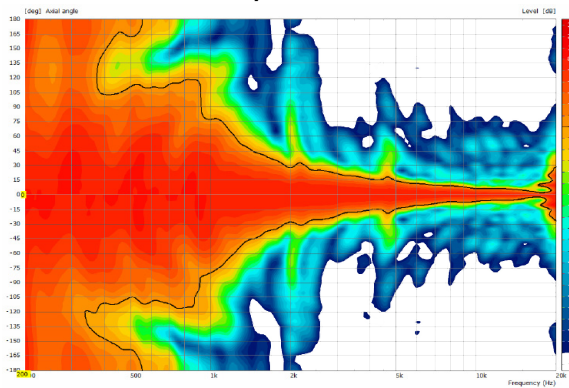
Galeo S 70° - 2D Directivity Plot - horizontal



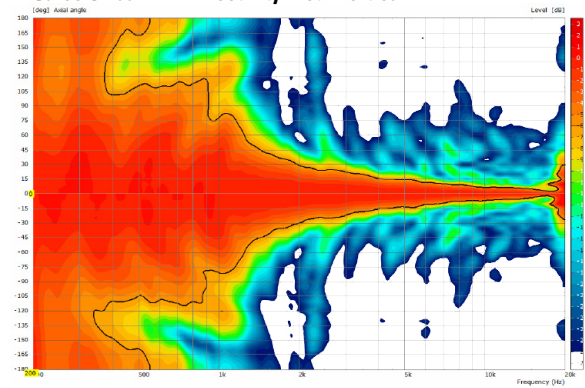
Galeo S 100° - 2D Directivity Plot - horizontal



Galeo S 70° - 2D Directivity Plot - vertical



Galeo S 100° - 2D Directivity Plot - vertical



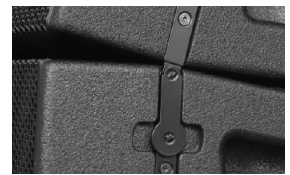
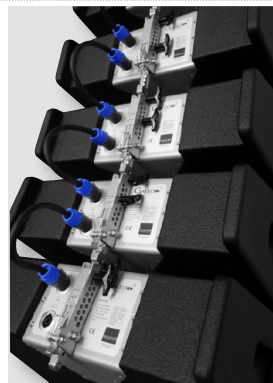
## FLYING SYSTEM



Flying Frame



Integrated flying system



Auto-locking flying fixtures.

## GROUND STACKED SOLUTIONS



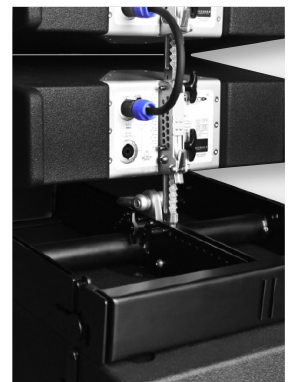
3 x Galeo S / Galeo S Sub



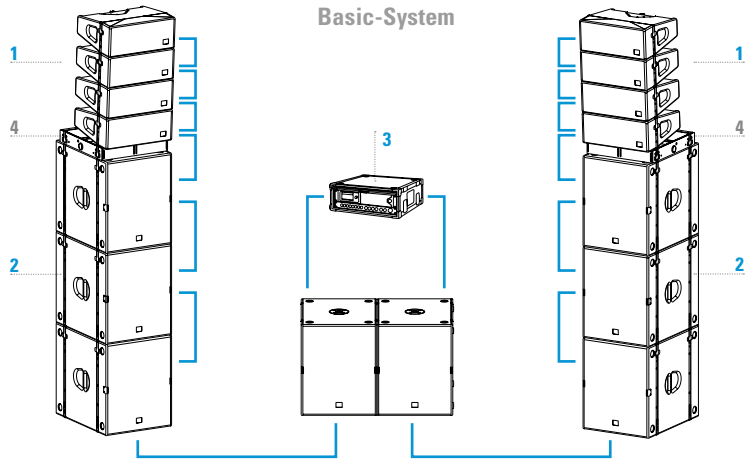
3 x Galeo S / 2 x Galeo S Sub



Flying Cradle



Flying Frame



**Basic-System**

**Components**

Order No.

1	8 x Galeo S	00450
2	8 x Galeo S Sub	00460
3	19" SD Rack, 3 RU	10002/S
	<b>Connection Panel CP 4.4</b>	01409
	1 x S 10 Amplified System Controller	01827

**Accessories**

Order No.

4	2 x Flying Frame	01310
---	------------------	-------

**Tour-System**

**Components**

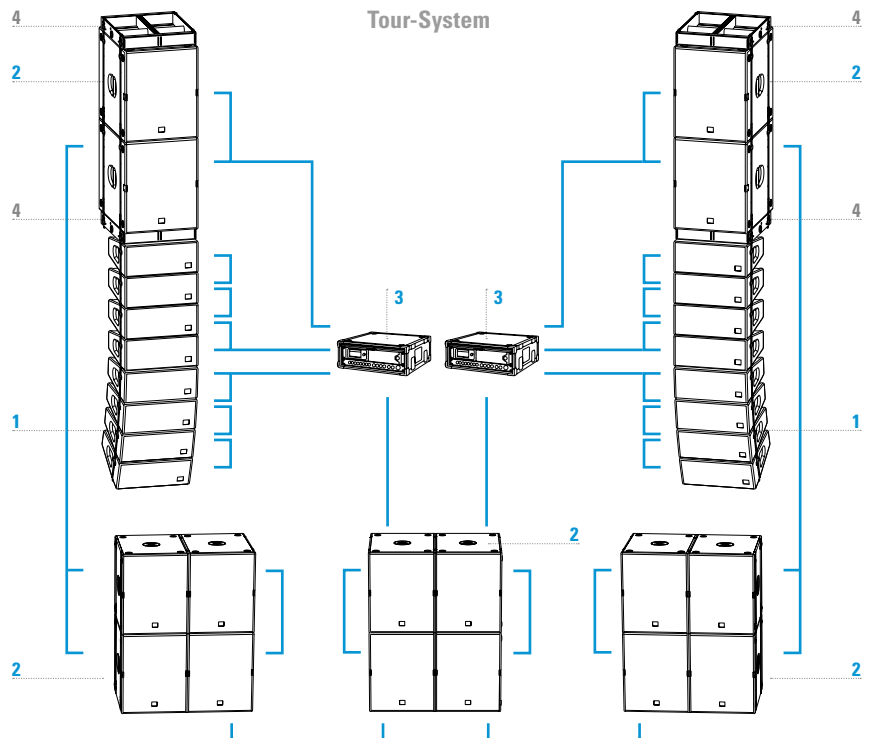
Order No.

1	16 x Galeo S	00450
2	16 x Galeo S Sub	00460
3	2 x 19" SD Rack, 3 RU	10002/S
	<b>Connection Panel CP 4.4</b>	01409
	1 x S 10 Amplified System Controller	

**Accessories**

Order No.

4	4 x Flying Frame	01310
---	------------------	-------



**Flying Frame**



for Galeo S / Galeo S Sub,  
incl. accessories  
(3 pcs. 6 x 20 mm ball lock pins,  
load adapter and 100 mm distance  
bar) - also for ground stack.  
Order No. **01310**

**Flying Cradle**



for Galeo S, incl. accessories  
(3 pcs. 6 x 20 mm ball lock pins,  
load adapter and  
100 mm distance bar) -  
also for ground stack  
Order No. **01312**

**Stacking Board**



fits: Galeo S Sub, G Sub 1501,  
K Sub 1502, K Sub 1801  
Order No. **01396/S**

**Clamp Adapter**



for Galeo S / Galeo S Sub,  
flying frame and flying cradle-> truss  
Order No. **01313**

**Load Adapter**



for Galeo S / Galeo S Sub,  
flying frame and flying cradle  
Order No. **01311**

**Ball Lock Pin**



for Galeo S / Galeo S Sub,  
flying frame and flying cradle  
Order No. **01380/6x20** (6 x 20 mm)

**Pole Mount Adapter - M20**



for flying bracket,  
M20 x 35 mm with nut,  
incl. 1 x M20 x 30 socket head screw,  
1 x flat  
Order No. **08127/nut**

**Shackle**



cambered, high-quality tempered,  
with bolt (ø 14 mm), weight: 0,22 kg,  
WLL 1500 kg  
Order No. **01372/1500**

**Patch Cable**



for Galeo S  
Order No. **08448/S**

**Lashing Straps**



Safetex 25A-B-1-DR, 0,8 t, one-piece,  
length: 6 m, width: 25 mm  
Order No. **01320**



Safetex 35A-B-1-DR, 2,0 t, one-piece,  
length: 6 m, width: 35 mm  
Order No. **01325**



Stacking Board



Stacking Board



Load Adapter



Clamp Adapter

### AMR Reflectors 100°



for Galeo T / Galeo S,  
consisting of 2 pcs.  
AMR reflectors 100°,  
incl. fittings  
Order No. **08141/100**

### AMR Reflectors 70°



for Galeo T / Galeo S,  
consisting of 2 pcs.  
AMR reflectors 70°,  
incl. fittings  
Order No. **08141/70**

### Dolly



for Galeo S, up to 12 stacked units,  
stackable  
Order No. **01261**

### Utility-Box



for Galeo S-Dolly,  
fits for 2 pcs. flying frames  
and accessories  
Order No. **01261/UB**

### Universal Bag



for 2 pcs. flying frames or  
flying cradles, with side pocket  
62,0 x 23,0 x 51,0 cm  
Order No. **01227**

### Flight Case



for 4 pcs. Galeo S units and  
1 x Flying Frame (insert for accessories),  
heavy duty, 9 mm birch multiplex, PVC  
coated, 8 x recessed sprung handles,  
2 x butterfly catches, 4 x 100 mm blue  
wheels, 2 pcs. with brake, interior lined  
with felt  
Size (H x W x D): 97 x 58 x 62 cm  
Order No. **16440**



Flight Case



Utility-Box



Dolly



Utility-Box