



Ultra flat stage monitor fitted with lightweight coaxial 15" / 1.4" Neodymium drivers. With high power reserves, homogeneous sound distribution and low tendency to feedback, the M 3 is a tool that will greatly simplify a sound engineer's job. Combined with the optional flying bracket, the system can also be used both as a downfill and as a universal sound system.

PRODUCT SPECIFICATIONS

Speaker Components	15" Nd / 1,4" Nd Coaxial
Description	Low Profile Monitor
Power AES / Peak	500 W / 1500 W
Impedance nominal	8 Ω
SPL 1 W / Peak @ 1 m	99 dB / 134 dB
Usable Range	65 Hz - 19 kHz (- 6 dB)
Tuning Frequency excursion minimum	70 Hz
X - Overpoint acoustical	1 kHz
Coverage horizontal / vertical	60° - conical
Max. Splay Angle	- - -
Connectors	2 x Neutrik Speakon NL4MP in/out Coding: 1 +/- HiMid, 2 +/- loop thru
Handles	2 x
Rigging / Fittings	2 x M10
Weight	18 kg
Size height x width x depth	30,9 x 45,0 x 54,0 cm
Order No.	01067



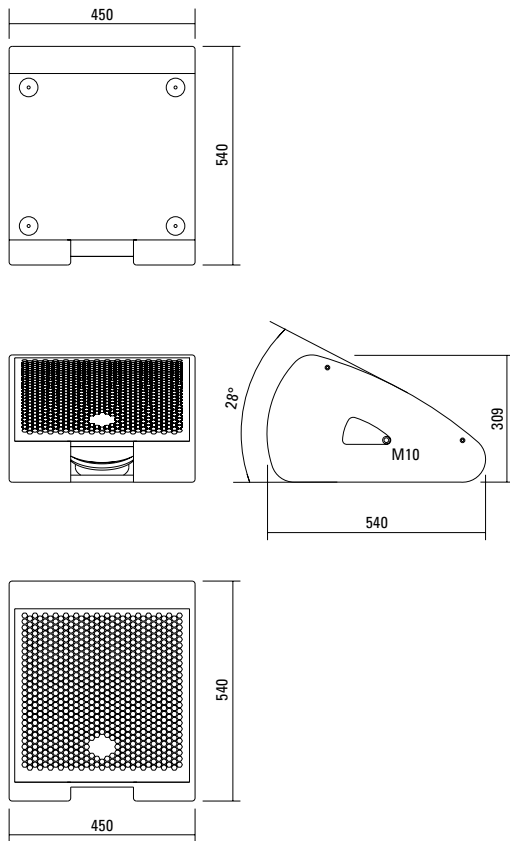
The attractively formed handle cutouts guarantee comfortable handling.



The connectors are good face accessible to the user.

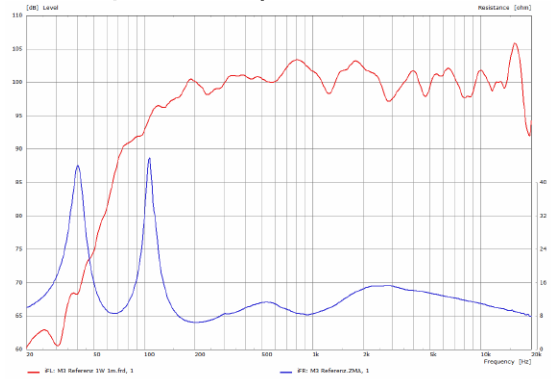


DIMENSIONS

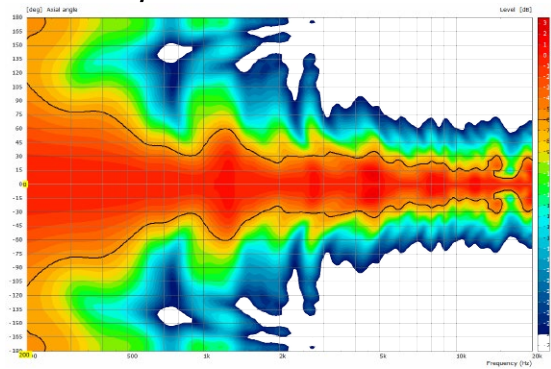


MEASUREMENTS

Sensitivity 1 W @ 1 m + Impedance



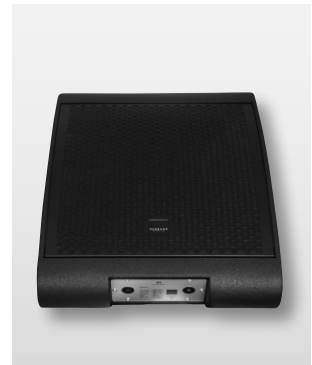
2D Directivity Plot - horizontal-vertical



Controller Setups are available on our website:

<http://www.seeburg.net/downloads.php>

APPLICATIONS



ACCESSORIES M 3

Flying Bracket



for M 3
incl. screws
(per unit: 2 pcs. M10 x 60 adjustable
handle screws)
Order No. **01218**

Handle Screw



for flying brackets, adjustable
M10 x 60
Order No. **08375/60**

Flange



for flying brackets,
35 mm Ø → M10,
Order No. **08126**

Doughty Trigger Clamp



for flying brackets,
SWL 200 kg
Order No. **01222**

Steel Safety Cable



4 mm - 50 cm
Order No. **01376**

Chain Fastener



VBS 7 mm
Order No. **01378**

Ring Screw



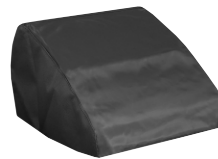
M10– DIN 580
Order No. **73700**

TV Spigot



10 mm internal thread,
28 mm Ø
Order No. **08128**

Rain Cover



for M 3
Order No. **01229/M3/outdoor**

Flight Case



für 2 pcs. M 3
heavy duty, 9 mm birch multiplex,
PVC coated, hinged lid, 6 x recessed
sprung handles, 2 x butterfly catches,
4 x 100 mm blue wheels, 2 pcs. with
brake, stackable, insert for flying
bracket, interior lined with felt.
Order No. **16018/pro**