



The high-performance top K 24 is suitable for all sound applications requiring a fast set-up, very high power reserves and a good sound. The 2 x 12" / 1.4" combination weighs just 35 kg including the integrated flying hardware, can be hung one above the other for longer arrays and is extremely compact. The optional flying bracket is very simple to attach using the ball lock pin and can be adjusted to the desired angle. For operation with a single amplifier channel, the system is also available in the xov version with an integrated switchable passive crossover.

## PRODUCT SPECIFICATIONS

	<b>K 24 a</b>	<b>K 24 xov</b>
<b>Speaker Components</b>	2 x 12" Nd / 1,4" Nd	2 x 12" Nd / 1,4" Nd
<b>Description</b>	High Power HiMid System	High Power HiMid System
<b>Power</b> <small>AES / Peak</small>	LF: 800 W / 2400 W HF: 80 W / 240 W	800 W / 2400 W
<b>Impedance</b> <small>nominal</small>	LF: 4 Ω / HF: 8 Ω	4 Ω
<b>SPL</b> <small>1 W / Peak @ 1 m</small>	LF: 104 dB / 138 dB HF: 111 dB / 140 dB	104 dB / 140 dB
<b>Usable Range</b>	75 Hz - 19 kHz (-6 dB)	75 Hz - 19 kHz (-6 dB)
<b>Tuning Frequency</b> <small>excursion minimum</small>	85 Hz	85 Hz
<b>X-Overpoint</b> <small>acoustical</small>	1,0 kHz	1,0 kHz
<b>Coverage</b> <small>horizontal / vertical</small>	60° x 50° (60°-version) 90° x 50° (90°-version)	60° x 50° (60°-version) 90° x 50° (90°-version)
<b>Max. Splay Angle</b>	12°	12°
<b>Connectors</b>	2 x Neutrik Speakon NL4MP in/out Coding: 1 +/- HF, 2 +/- LF	2 x Neutrik Speakon NL4MP in/out Coding: 1 +/- HiMid, 2 +/- loop thru
<b>Handles</b>	2 x	2 x
<b>Rigging / Fittings</b>	5 x M10 / 4 x 6 mm socket Integrated flying hardware 35 mm pole mount	5 x M10 / 4 x 6 mm socket Integrated flying hardware 35 mm pole mount
<b>Weight</b>	35,0 kg (+ 7,0 kg wheel board)	37,0 kg (+ 7,0 kg wheel board)
<b>Size</b> <small>height x width x depth</small>	70,0 x 42,0 x 46,0 cm	70,0 x 42,0 x 46,0 cm
<b>Order No.</b>	<b>01029/a/60°</b> (60°-version) <b>01029/a/90°</b> (90°-version)	<b>01029/xov/60°</b> (60°-version) <b>01029/xov/90°</b> (90°-version)

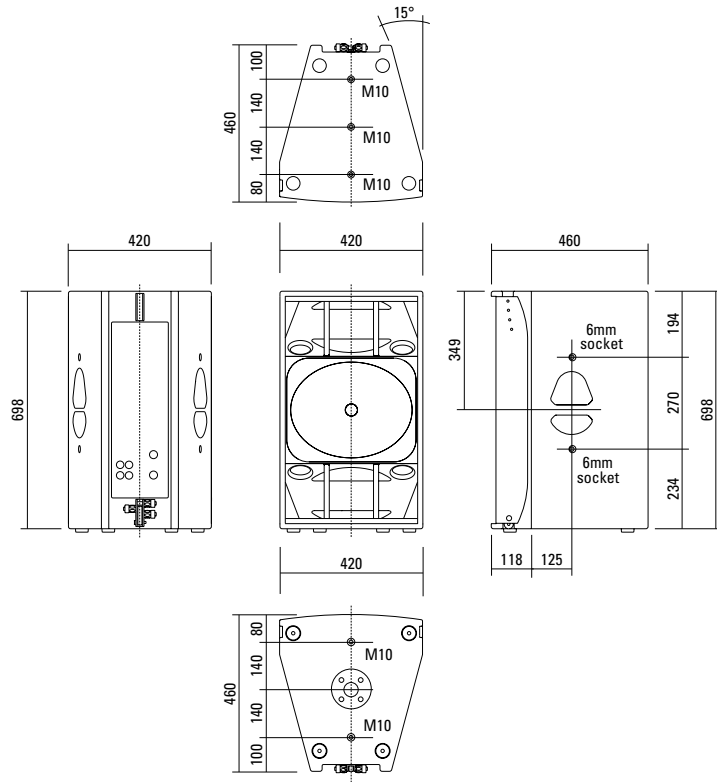


The integrated Flying System with adjustable Splay Angles.



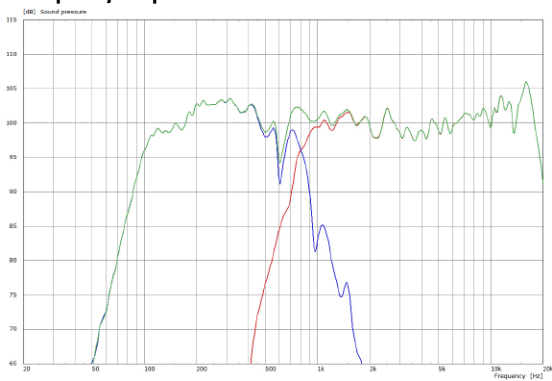
Rear view.

## DIMENSIONS

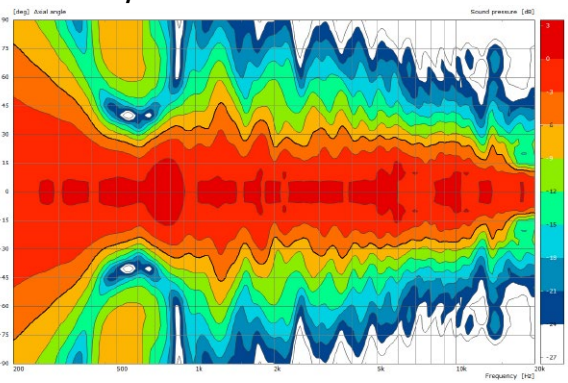


## MEASUREMENTS

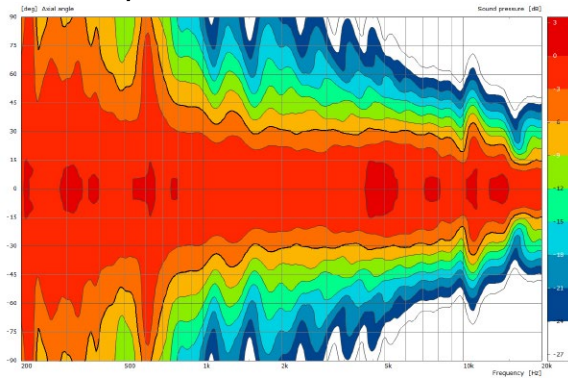
**Frequency Response with Preset**



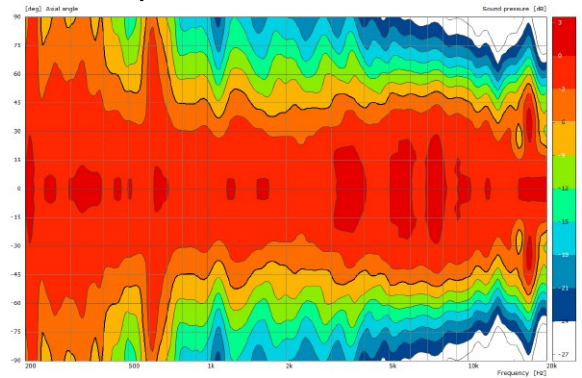
**2D Directivity Plot - vertical**



**2D Directivity Plot - horizontal 60°**



**2D Directivity Plot - horizontal 90°**



**The technical performance features of the K 24 and its exceptional compactness were only possible by means of a complex acoustic interplay between the individual components and their control systems.**

As a result, the performance characteristics and quality attributes were optimised to such a level that they are able to compete with and even surpass significantly larger systems.

To increase the degree of efficiency, the two 12" low-midrange speakers are initially directed into an acoustic bandpass and then into a hybrid horn. The symmetrical set-up ensures even and balanced coverage.

The generously dimensioned elliptical horn featuring a curved design for wide coverage ensures a highly accurate and long throw.

The cabinet is fitted with a sophisticated reinforcement system in order to prevent unwanted resonance.



K 24

The drivers are installed such that the voice coils are in the same vertical plane to ensure phase coherence even when using the passive crossover.



## APPLICATIONS



### The integrated Flying System.



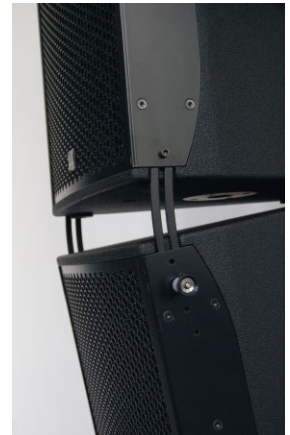
The Flying Cradle – up to three K 24 systems can be flown vertically.



Simple interconnection of systems by means of integrated Spacer.



Spacer with "parking space" for the Ball Lock Pin.



Integrated Flying System with four adjustable Splay Angles.



Bracket.

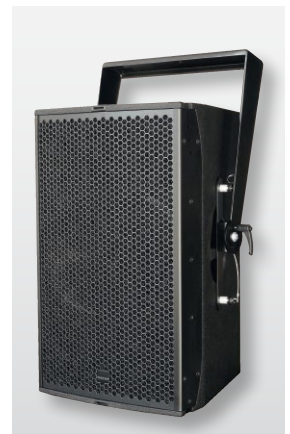


**K 24 as Stack**  
with G Sub.

### Accessories.



Removable Wheel Board for simple transportation.



The Flying Bracket is very simple to attach using the Ball Lock Pin and can be adjusted to the desired angle.



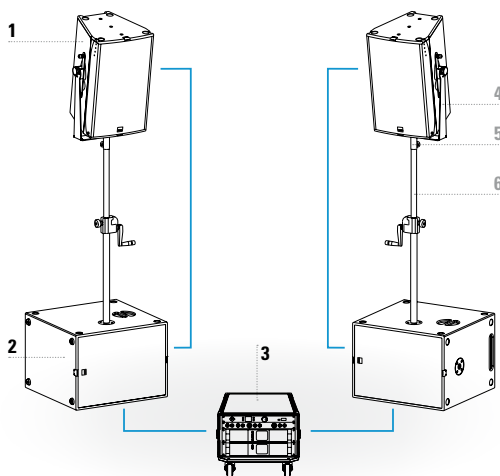
## COMPLETE SYSTEMS



### The K 24 System.

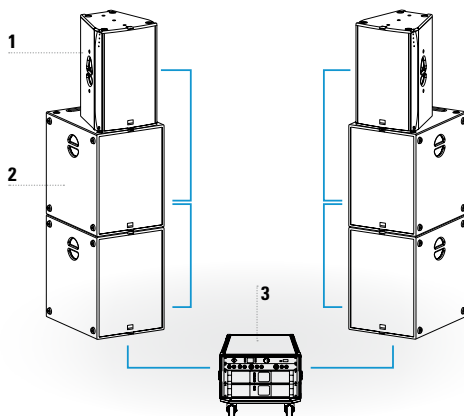
The K 24 not only performs well when used in the basic version, but can also be extended as desired to a larger system suitable for halls and open-air events.

Whether you opt for the G Sub (1 x 18") with its low tuning frequency, for the more punchy sounding B 1502 (2 x 15") or for the direct radiating K Sub 1801 (1 x 18") is more or less a matter of taste. Depending on the configuration, all you have to do is load the preset in the HDLM 8 controller and the system will produce an excellent sound across a broad volume range.



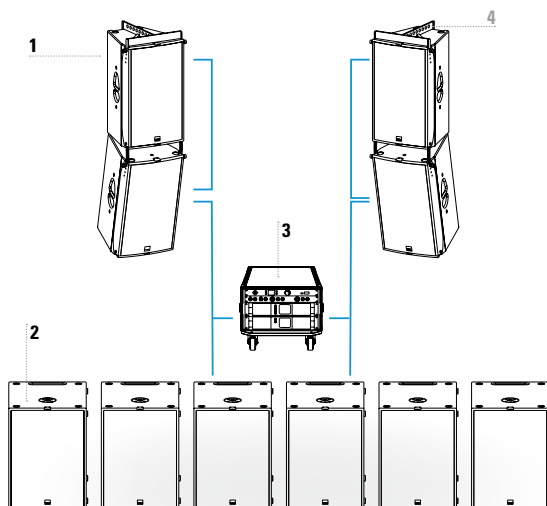
### Basic System

Components	Order No.
1 2 x K 24 xov	01029/xov
2 2 x K Sub 1801, 18", 1500 W AES / 4500 W Peak, 8 Ω	01060
3 System Rack	10510
HDLM 8 (basic vers.)	01402
Connection Panel	01407/biamp
LAB FP 9000	01621
LAB FP 14000	01626
Accessories	Order No.
4 Flying Bracket	01209/set
5 Flange	08127
6 Speaker Pole	03022



### Standard System

Components	Order No.
1 2 x K 24 xov	01029/xov
2 4 x K Sub 1801, 18", 1500 W AES / 4500 W Peak, 8 Ω	01060
3 System Rack	10510
HDLM 8 (basic vers.)	01402
Connection Panel	01407/biamp
LAB FP 9000	01621
LAB FP 14000	01626



### XL System

Components	Order No.
1 4 x K 24 xov	01029/xov
2 6 x K Sub 1801, 18", 1500 W AES / 4500 W Peak, 8 Ω	01060
3 System Rack	10510
HDLM 8 (basic vers.)	01402
Connection Panel	01407/biamp
LAB FP 9000	01621
LAB FP 14000	01626
Accessories	Order No.
4 2 x Flying Cradle	01355



**Flying Cradle**

for K 24 incl. accessories  
(3 x ball lock pin, 3 x steel rope)  
Order No. **01355**



**Flying Bracket**

for K 24 incl. accessories  
(4 x ball lock pin, 4 x steel rope  
2 x handle screw M8 x 20 mm)  
Order No. **01209/set**



**Steel Support**

for groundstack, length 30 cm / 60 cm,  
incl. accessories (45 mm ball lock pin,  
adjustable, with add. safeguard)  
Order No. **01383/60** (length 60 cm)  
Order No. **01383/30** (length 30 cm)



**Handle Screw**

for K 24, adjustable,  
M8 x 20 mm  
Order No. **08376**



**Ball Lock Pin**

for K 24 (front), 6 x 18 mm  
Order No. **01380/K24/grip 18 mm**



for K 24 (rear), 6 x 25 mm  
Order No. **01380/K24/grip 25 mm**



**Flange**

for G 3 / GL 16 / GL 24 / K 24  
flying bracket,  
M20 x 35 mm ø with nut,  
incl. M20 x 20 socket head screw  
Order No. **08127/nut**



**Horn 90° x 50°**

for K 24, 90° x 50°  
Order No. **01598**



**Shackle**

heavy duty with safety device,  
WLL 1000 kg  
Order No. **01372/1000**



**Doughty Trigger Clamp**

for flying brackets,  
SWL 200 kg  
Order No. **01222**



**Steel Safety Cable**

4 mm - 50 cm  
Order No. **01376**



**Ring Screw**

M10- DIN 580  
Order No. **73700**

## ACCESSORIES K 24

### Rain Cover



for K 24  
Order No. **01255/outdoor**

### Cover



for K 24 without wheel board  
Order No. **01255**

### Cover



for K 24 by using wheel board  
Order No. **01255/WB**

### Wheel Board



for K 24,  
stackable,  
Order No. **01266**

### Flight Case



for 2 pcs. K 24 and accessories,  
heavy duty, 9 mm birch multiplex,  
PVC coated, 10 x recessed sprung  
handles, 4 x butterfly catches,  
4 x 100 mm blue wheels with brake,  
2 x scanner windows, inserts for  
accessories, interior lined with felt.  
Order No. **16030/K24+**



K 24 Flight Case.



Stackable Wheel Board.