

Bass Extension **K Sub 1801**



The K Sub 1801 is a compact high-power subwoofer for universal use in the frequency range of 33 Hz to 180 Hz. The classic bass reflex design with streamlined ports leads to an exceptional precise and deep bass response with medium throw. Two ergonomically designed handles ensure perfect handling. For transportation, a wheelboard can be mounted to the front side.

PRODUCT SPECIFICATIONS

Speaker Components	18"
Description	Passive Bass Extension
Power AES / Peak	1500 W / 4500 W
Impedance nominal	8 Ω
SPL 1 W / Peak @ 1 m	101 dB / 137 dB
Usable Range - 6 dB	33 Hz - 180 Hz
Tuning Frequency excursion minimum	38 Hz
Connectors	2 x Neutrik Speakon NL4MP in/out Coding: 1+/- loop thru, 2+/- Sub
Handles	4 x
Rigging / Fittings	M20 on top and side Wheel board fittings
Weight	42,5 kg (+7,0 kg wheel board)
Size height x width x depth	69,8 x 51,2 x 56,0 cm
Order No.	01060



Two ergonomically designed handles ensure perfect handling.

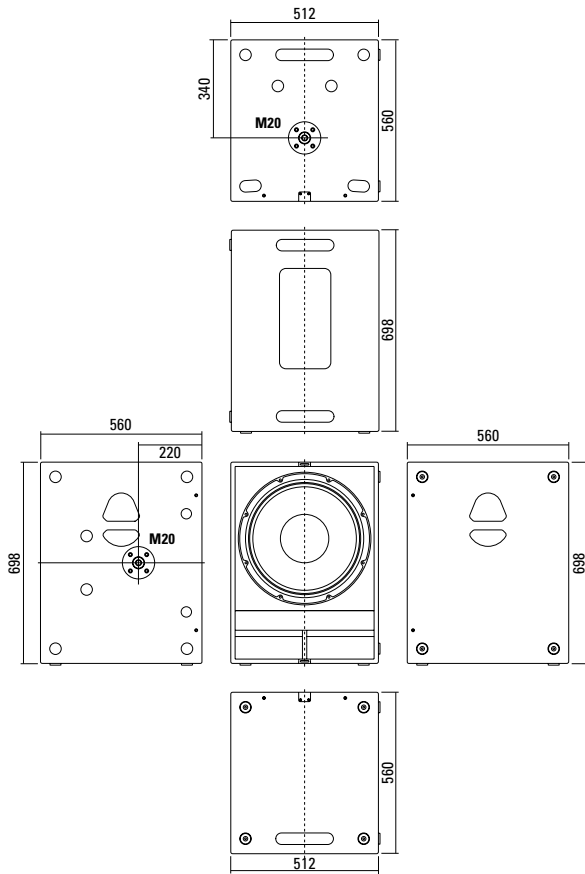


Robust front grille.



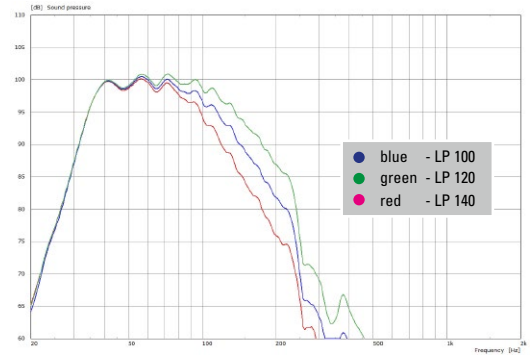
Four convenient bar handles at the corner.

DIMENSIONS

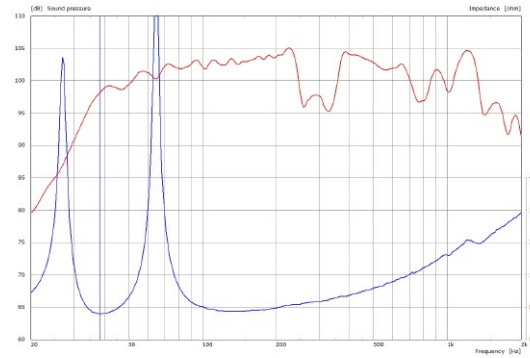


MEASUREMENT

Frequency Response with Presets



Sensitivity 1 W @ 1 m + Impedance



Controller Setups are available on our website:

<http://www.seeburg.net/downloads.php>

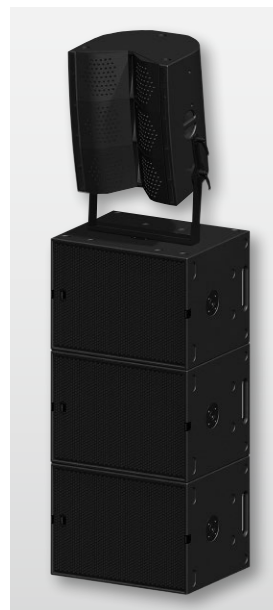
APPLICATIONS



2 x K Sub 1801 / K 24



K Sub 1801 / GL 24



2 x K Sub 1801 / G3



3 x K Sub 1801 dp
Cardiod set-up

ACCESSORIES K Sub 1801

Speaker Pole

M20, with wind up, K&M

Order No. **03023**



M20, adjustable, K&M

Order No. **03022**



Feet

ABS foot, 38 x 14 mm, black

Order No. **07608**



Rubber foot, 38 x 10 mm, black

Order No. **07602**



Ground Stacking Board

for K Sub 1801 / G Sub / TSE Sub
with extendable legs

Order No. **01394**



Wheel Board

for G Sub / K Sub 1801,
stackable, 7 kg

Order No. **01260**



Cover

for K Sub 1801 with wheel board

Order No. **01257**



Hybrid Cable System

PowerCon-PowerCon / XLR-XLR

5 m Order No. **08464**

10 m Order No. **08466**

15 m Order No. **08468**



Stackable wheel board.



Removable wheel board for simple transportation.