

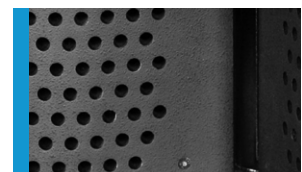
# Two-Way Line Array **Galeo**



The Galeo Line Array System is suitable for a wide range of sound applications for which a fast set-up, high sound quality, long throw and predictable directivity are crucial. The application of the patented AMR (Air Mass Reflection) principle and the optimised placement of the drivers provide an exceptionally homogenous and precise horizontal coverage. The Galeo is particularly suitable for high-end permanent installations. The 80° version of the GALEO was developed for narrower audience areas and longer throw. The Galeo's AMR Reflectors in the 80° and the 120° version are interchangeable.

## PRODUCT SPECIFICATIONS (for one unit Galeo)

<b>Speaker Components</b>	2 x 8" Nd / 1,4" Nd
<b>Description</b>	Two-Way Line Array Unit
<b>Power</b> AES / Peak	LF: 380 W / 1140 W HF: 80 W / 240 W
<b>Impedance</b> nominal	LF: 16 Ω / HF: 16 Ω
<b>SPL</b> 1 W / Peak @ 1 m	LF: 97 dB / 125 dB HF: 108 dB / 134 dB
<b>Usable Range</b>	75 Hz - 18 kHz (-6 dB)
<b>Tuning Frequency</b> excursion minimum	85 Hz
<b>X-Overpoint</b> acoustical	Depends on preset
<b>Coverage</b> horizontal x vertical	120° x 7° (120°-version) 80° x 7° (80°-version)
<b>Max. Splay Angle</b>	7°
<b>Connectors</b>	2 x Neutrik Speakon NL4MP in/out Coding: 1 +/- HF, 2 +/- LF
<b>Handles</b>	2 x
<b>Rigging / Fittings</b>	4 x M10 Integrated flying hardware
<b>Weight</b>	23,0 kg
<b>Size</b> height x width x depth	25,7 (23,2) x 60,0 x 47,5 cm
<b>Order No.</b>	<b>00400/120</b> (120°-version) <b>00400/80</b> (80°-version)



Galeo 80° AMR horn panel employ the patented „Air Mass Reflection“ principle.

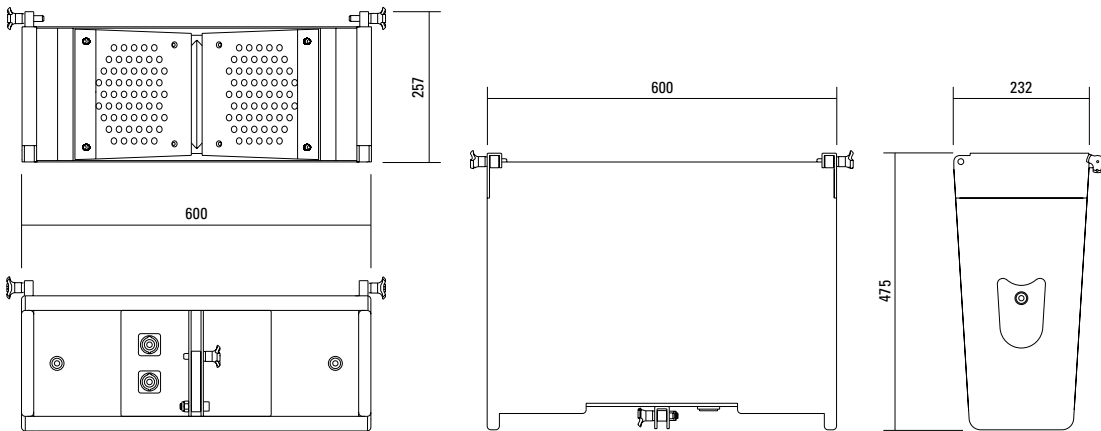


Integrated flying hardware.



Galeo connection panel.

## DIMENSIONS

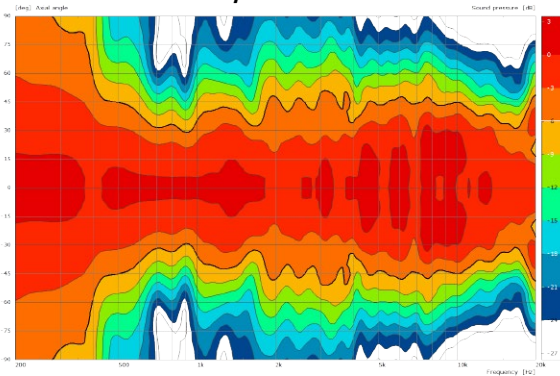


Controller Setups are available on our website:

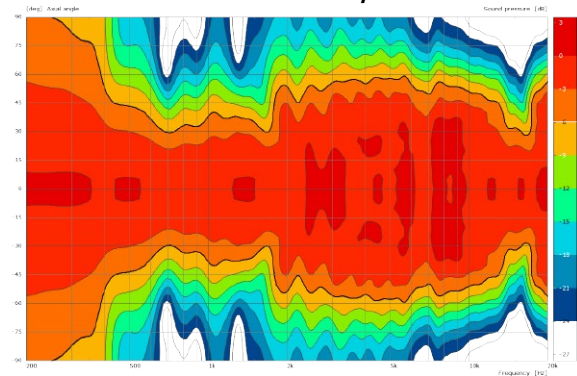
<http://www.seeburg.net/downloads.php>

## COVERAGE PATTERNS

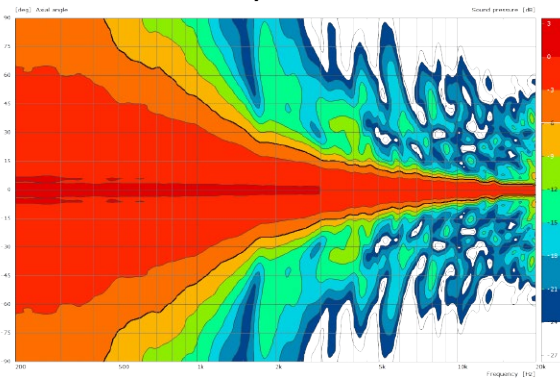
Galeo 80° - 2D Directivity Plot - horizontal



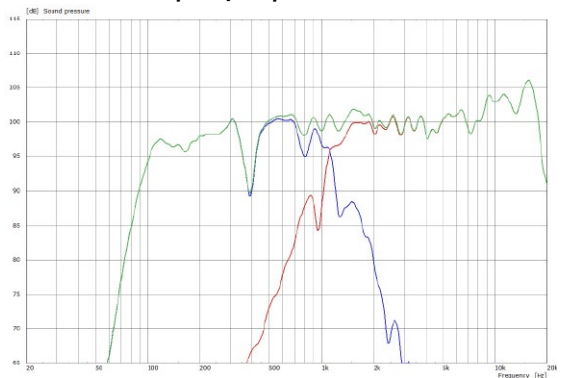
Galeo 120° - horizontal - 2D Directivity Plot



Galeo 80° / 120° - Directivity Plot - vertical



Galeo 120° - Frequency Response with Presets



**AMR® PRINCIPLE**

The AMR horn panels contain integrated channels which allow the sound waves generated by the low-mid speakers mounted behind the horn to pass through. For sound waves in the frequency range generated by the 1.4" HF driver, these channels behave as if they were sealed, due to the air mass inside the channels acting as a reflector (**AMR = Air Mass Reflection**).

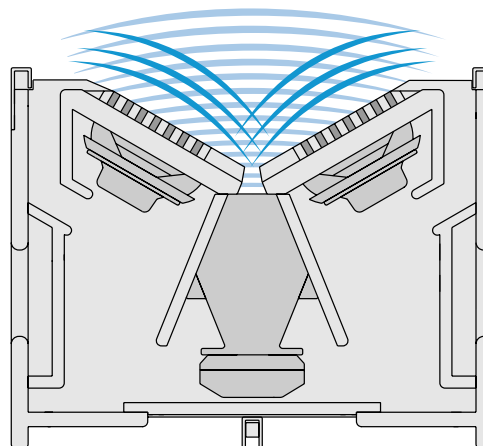
The low-mid speakers are coupled to an acoustical band pass filter with a center frequency close to the crossover frequency between the Mid and HF drivers. This construction provides smooth horizontal dispersion over a wide frequency range. Another asset is the extreme compactness of this design.

**Vertical Characteristic / Cylindrical wave front.**

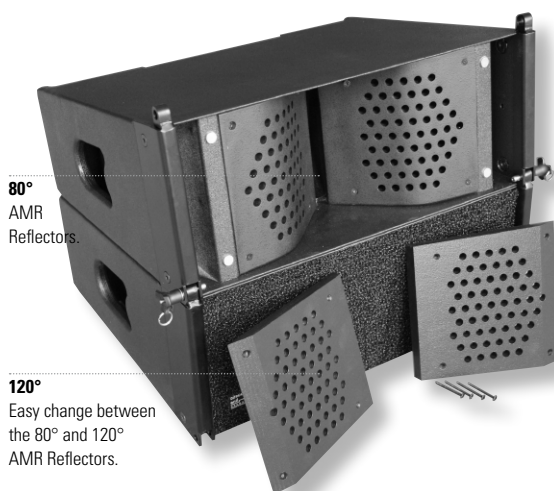
The acoustic coupling between multiple Galeo units produces a cylindrical wave front. The bundling of the acoustical energy means that the system has a longer throw.

The vertical coverage angle is determined by the number of Galeo units, and their angle relative to one another. The longer the array, the longer the throw.

AMR® Principle



**AMR® REFLECTORS**



80° AMR Reflectors.

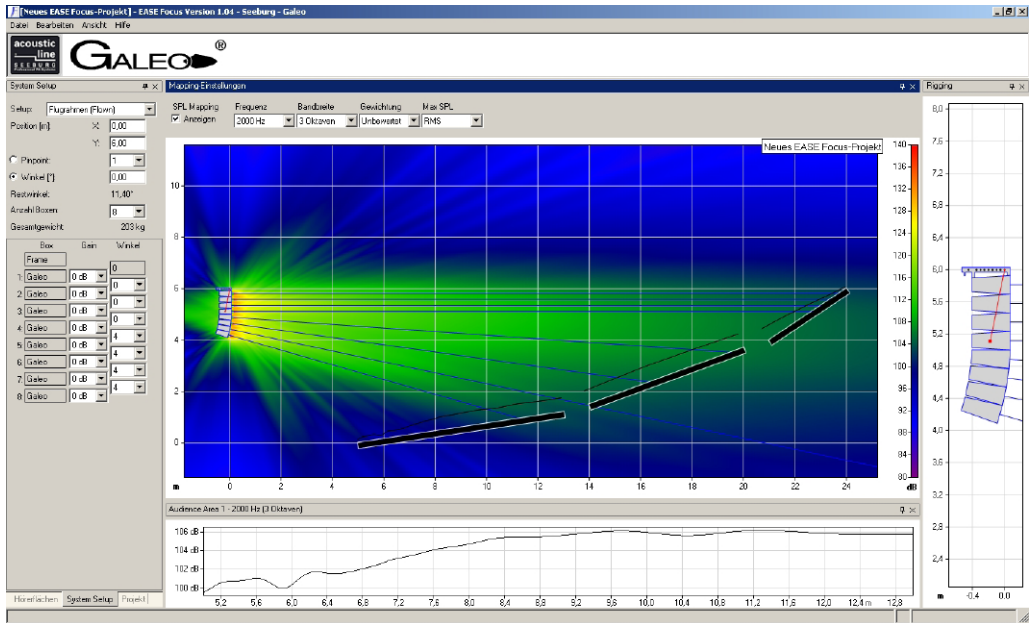
120° Easy change between the 80° and 120° AMR Reflectors.

**By exchanging the AMR Reflectors, the horizontal dispersion can be changed from 80° to 120° and back according to demand.**

The more tightly bundled 80°- version of the Galeo system was developed especially for narrower audience areas. Thanks to the patented Air Mass Reflection principle, it is characterised by extremely precise and even directivity.

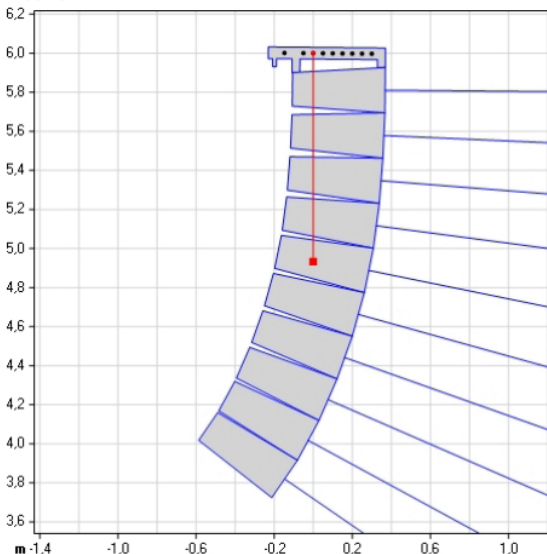
The simulation program.

The EASE-FOCUS software is available for use in the calculation of splay angles and expected coverage characteristics. The program has been especially adapted for the Galeo system. The completed simulation can be exported in printable form as a MS Word document to assist the technician in the installation of the system.



Printable version as MS Word document.

Rigging



Projekt Details

<b>Projekt:</b>	Galeo
<b>Autor:</b>	unbekannter Bearbeiter
<b>Kommentar:</b>	ohne Kommentar

System Details

<b>Hersteller:</b>	Seeburg
<b>System Setup:</b>	Galeo
<b>Pick Point:</b>	X= 0,00 m Y= 6,00 m
<b>Winkel:</b>	0,52°
<b>Pin Point:</b>	7 (Restwinkel = 0,00°)
<b>Framegewicht:</b>	19,00 kg („Flugrahmen“)
<b>Boxgewicht:</b>	230,00 kg („Galeo“)
<b>Gesamtgewicht:</b>	249,00 kg
<b>Höhe:</b>	2,31 m

Rigging Details

Nr.	Box	Gain	Winkel
Frame	<b>Flugrahmen</b>		
1	<b>Galeo</b>	0 dB	0
2	<b>Galeo</b>	0 dB	2
3	<b>Galeo</b>	0 dB	2
4	<b>Galeo</b>	0 dB	3
5	<b>Galeo</b>	0 dB	4
6	<b>Galeo</b>	0 dB	4
7	<b>Galeo</b>	0 dB	4
8	<b>Galeo</b>	0 dB	4
9	<b>Galeo</b>	0 dB	5
10	<b>Galeo</b>	0 dB	6



### Flying Frame



Connection between the Flying Frame and the Galeo unit.



Simple set up with Ball Lock Pins.



Rear view.

### Flying Bracket



Simple installation for up to two Galeo units.



## GROUND STACKED SOLUTIONS



Flying Frame with Steel Supports  
for Ground Stacked Applications.



Height adjustable feet.

## APPLICATIONS



**2 x Galeo / Galeo Sub GV**  
with Flying Bracket.



**4 x Galeo / 3 x G Sub**  
with Stacking Board.



**4 x Galeo / Galeo Sub GV**  
with Stacking Board.



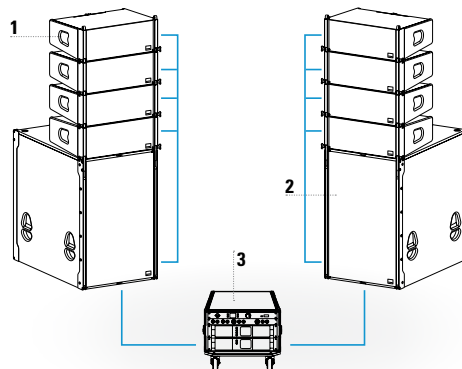
**Stacking Board**  
2 x Galeo / K Sub 1801



**The Galeo System.**

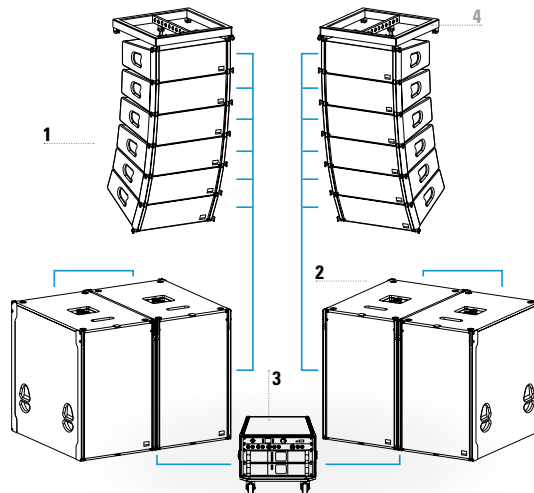
No matter how variable your requirements are, the Galeo System provides the flexibility to meet them all. From small clubs or stage side fills to large scale sound reinforcement for 10.000 listeners, the Galeo system meets all the demands of a high range contemporary sound reinforcement system.

The heart of the system is the HDLM 8 Controller. The unit prepares the individual audio signals for each component of the system, and distributes them to the LAB amplifiers.



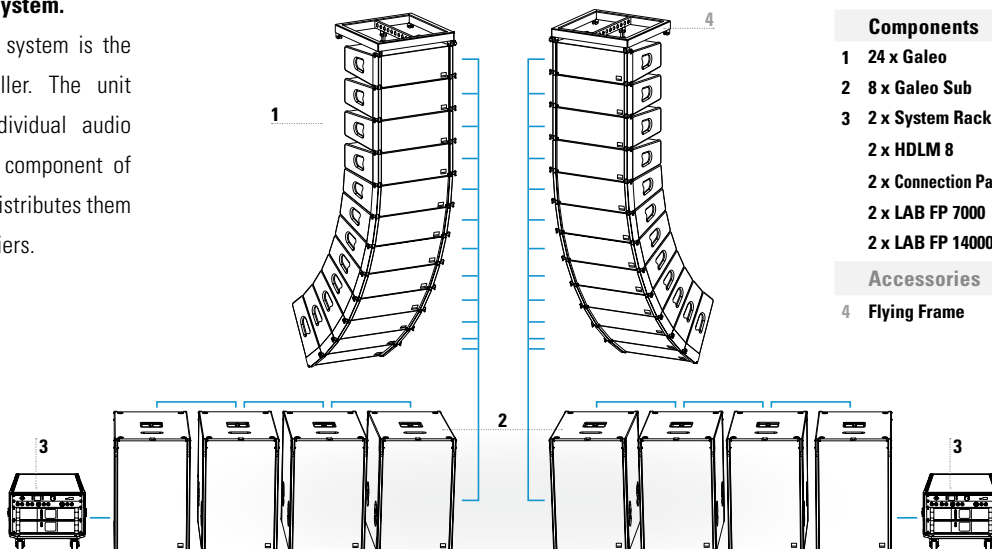
**Basic System**

Components	Order No.
1 8 x Galeo	00400/120
2 2 x Galeo Sub	00405
3 System Rack	10510
HDLM 8	01402
Connection Panel	01408/NL4
LAB FP 7000	01619
LAB FP 14000	01626



**Medium System**

Components	Order No.
1 12 x Galeo	00400/120
2 4 x Galeo Sub	00405
3 System Rack	10510
HDLM 8	01402
Connection Panel	01408/NL4
LAB FP 7000	01619
LAB FP 14000	01626
Accessories	Order No.
4 Flying Frame	01381



**Large System**

Components	Order No.
1 24 x Galeo	00400/120
2 8 x Galeo Sub	00405
3 2 x System Rack	10510
2 x HDLM 8	01402
2 x Connection Panel	01408/NL4
2 x LAB FP 7000	01619
2 x LAB FP 14000	01626
Accessories	Order No.
4 Flying Frame	01381

**Flying Bracket**



for Galeo incl. screws  
(per unit: 2 pcs. M10 x 70 adjustable  
handle screws)  
Order No. **01385/set**

**Flying Frame**



with 19" Rack 8 HE  
Order No. **01381/combi**

**Flying Frame**



for Galeo System incl. accessories  
(2 pcs. 25 mm ball lock pins and  
82 mm distance bar) -  
also for ground stack  
Order No. **01381**

**Steel Support**



for groundstack, length 30 cm / 60 cm,  
incl. accessories (45 mm ball lock pin,  
adjustable, with add. safeguard)  
Order No. **01383/60** (length 60 cm)  
Order No. **01383/30** (length 30 cm)

**Stacking Board**



for Galeo  
Order No. **01396**

**Galeo T-Adapter**



to connect Galeo unit to flying frame  
Order No. **01384**

**Ball Lock Pin**



for Galeo flying frame, 9,5 x 25,5 mm  
Order No. **01380/gal**  
for steel support for Galeo ground stack,  
10,0 x 45,0 mm  
Order No. **01380/45**

**Handle Screw**



for Galeo flying bracket, adjustable  
M10 x 70  
Order No. **08375/70**

**Flange**



for flying brackets,  
35 mm Ø → M10,  
Order No. **08126**

**Rubber Washer**



for flying brackets,  
40 mm  
Order No. **01205**

**Doughty Quick Trigger Clamp**



for Galeo flying bracket,  
SWL 250 kg  
Order No. **01223**

**Shackle**



heavy duty with safety device,  
WLL 3250 kg  
Order No. **01372/3250 kg**

**Steel Savety Cable**



4 mm - 50 cm  
Order No. **01376**

**Chain Fastener**



VBS 7 mm  
Order No. **01378**

**Ring Screw**



M10- DIN 580,  
black zinced  
Order No. **73700**



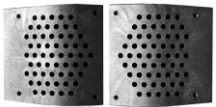
## ACCESSORIES Galeo

### AMR Reflectors 120°



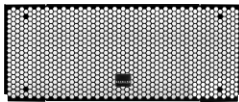
for Galeo / G3,  
consisting of 2 pcs.  
AMR reflectors 120°,  
incl. fittings  
Order No. **08141/120**

### AMR Reflectors 80°



for Galeo / G3,  
consisting of 2 pcs.  
AMR reflectors 80°,  
incl. fittings  
Order No. **08141/80**

### Hexagon Grille



for Galeo, front grille version,  
for replacement, foam behind

Order No. **97020/hex**

### Speaker Stand



Wind up for speaker enclosure,  
50 kg max., height 129 to 204 cm  
Order No. **03011**

### Rain Cover



for 4 x Galeo top units  
Order No. **01238/outdoor**

### Flight Case



for 2 pcs. Galeo flying frames,  
inserts for accessories, heavy duty,  
9 mm birch multiplex, PVC coated,  
hinged lid, 6 x recessed sprung handles,  
2 x butterfly catches, 4 x 100 mm blue  
wheels, 2 pcs. with brake  
Order No. **16003**

### Flight Case



for 4 pcs. Galeo top units,  
heavy duty, 9 mm birch multiplex,  
PVC coated, hinged lid, 8 x recessed  
sprung handles, 4 x butterfly catches,  
4 x scanner windows, 4 x 100 mm  
blue wheels, 2 pcs. with brake  
Order No. **16002**

### 19" Rack



6 units, prepared for 2 x LAB Amps,  
HDLM 8, Connection Panel,  
incl. internal cabling and installation  
Order No. **10510**



Stacking Board



Flight Case



Cover