

Two-Way Line Array **Galeo S**



A compact, general purpose high performance line array featuring a number of innovative acoustical and mechanical solutions. This 2 x 6,5" / 1,4" system has an integrated crossover, and therefore requires only one amplifier channel. The Galeo S is a visually inobtrusive sound reinforcement system equally suited to high end permanent installations and demanding tour applications. A choice of horizontal coverage angles of 70° or 100° is provided by the interchangeable AMR horn elements. The maximum splay angle of 16° allows for a high degree of curvature in the line array with a small number of cabinets.

PRODUCT SPECIFICATIONS (for one unit GALEO S)

Speaker Components	2 x 6,5" Nd / 1,4" Nd
Description	Two-Way Line Array Unit
Power AES / Peak	400 W / 1200 W
Impedance nominal	16 Ω
SPL 1 W / Peak @ 1m	95 dB / 126 dB
Usable Range	80 Hz - 18 kHz (-6 dB)
Tuning Frequency excursion minimum	90 Hz
X-Overpoint acoustical	1 kHz
Coverage horizontal x vertical	100° x 16° (100°-version) 70° x 16° (70°-version)
Max. Splay Angle	16°
Connectors	2 x Neutrik Speakon NL4MP in/out Coding: 1 +/- HiMid, 2 +/- loop thru
Handles	2 x
Rigging / Fittings	2 x M10 Integrated flying hardware
Weight	13,5 kg
Size height x width x depth	19,0 x 45,0 x 38,5 cm
Order No.	00450/100 (100°-version) 00450/70 (70°-version)



Flying Frame.

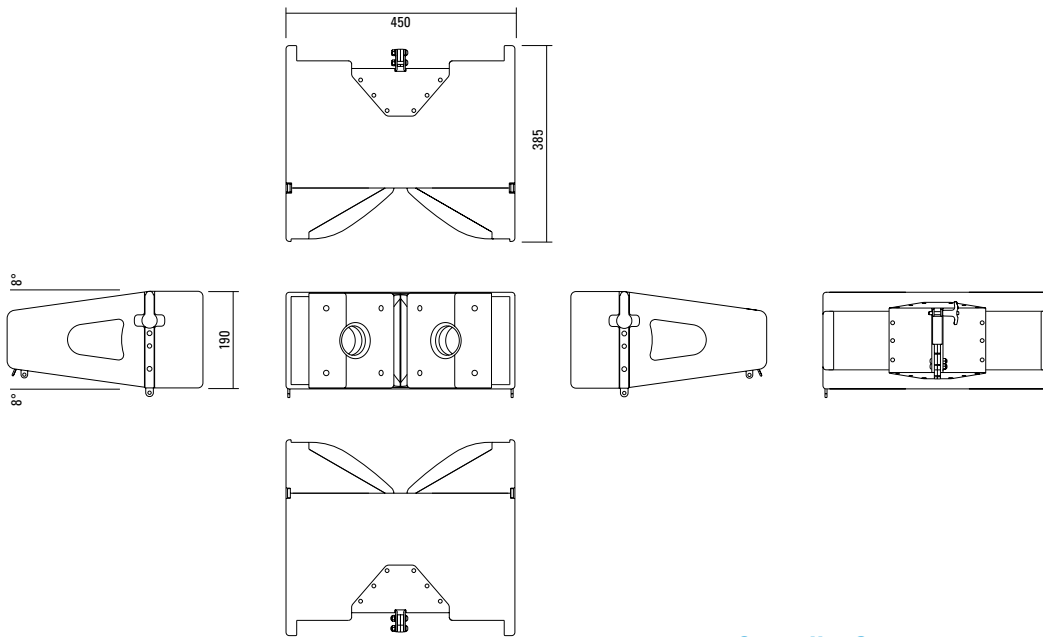


Integrated and recessed flying hardware.



Auto-locking flying fixtures.

DIMENSIONS

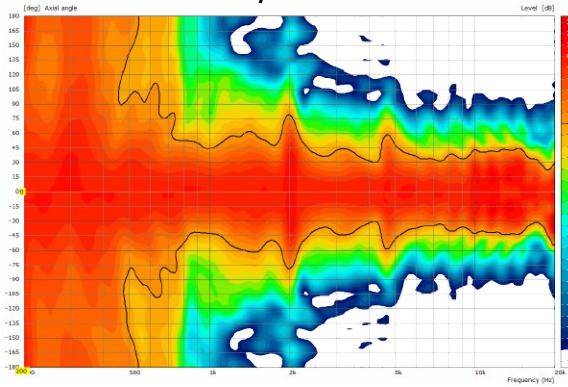


Controller Setups finden Sie unter:

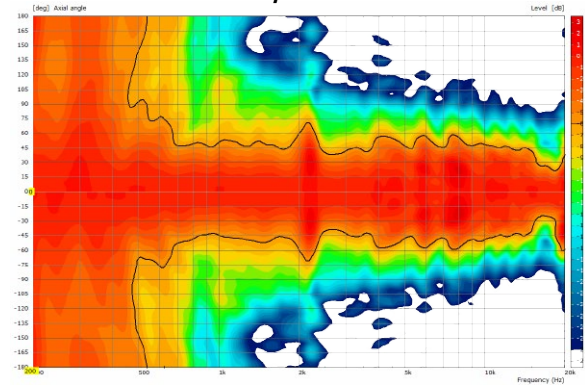
<http://www.seeburg.net/downloads.php>

COVERAGE PATTERNS

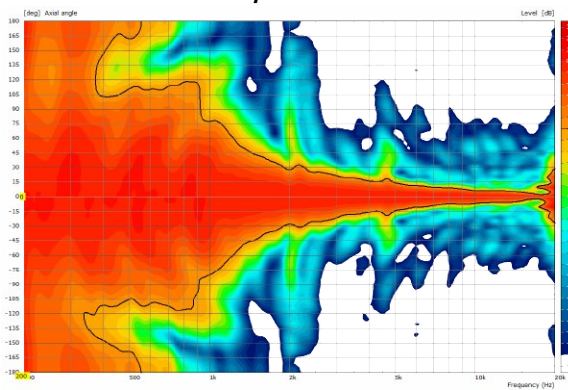
Galeo S 70° - 2D Directivity Plot - horizontal



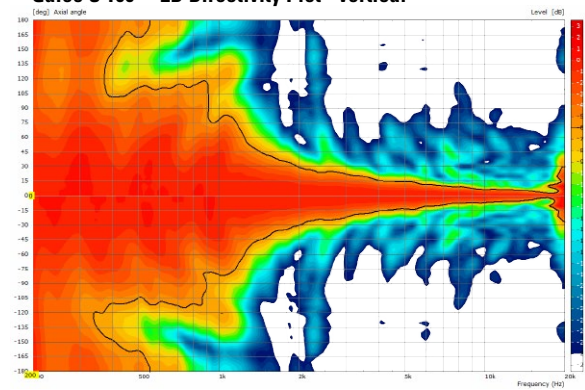
Galeo S 100° - 2D Directivity Plot - horizontal



Galeo S 70° - 2D Directivity Plot - vertical



Galeo S 100° - 2D Directivity Plot - vertical



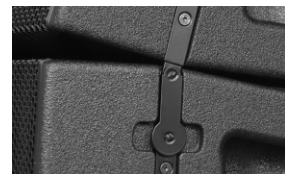
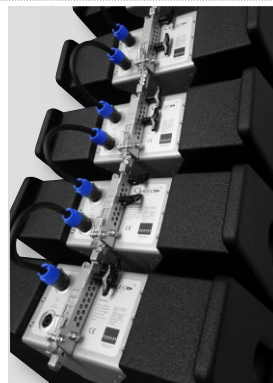
FLYING SYSTEM



Flying Frame



Integrated flying system



Auto-locking flying fixtures.

GROUND STACKED SOLUTION



3 x Galeo S / Galeo S Sub



3 x Galeo S / 2 x Galeo S Sub

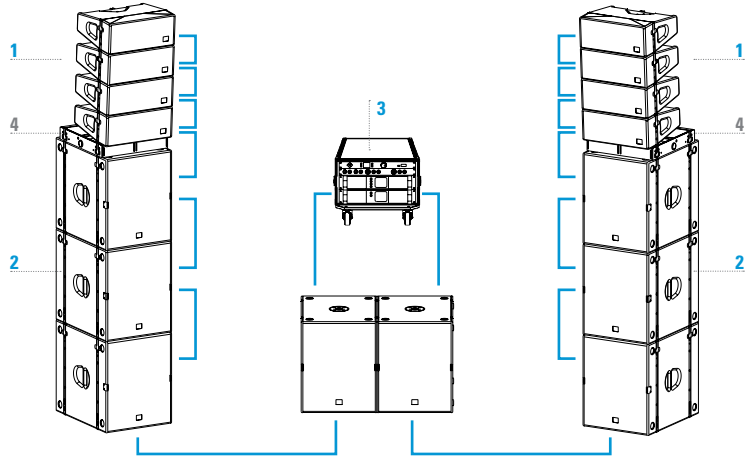


Flying Cradle



Flying Frame

CONFIGURATION EXAMPLES

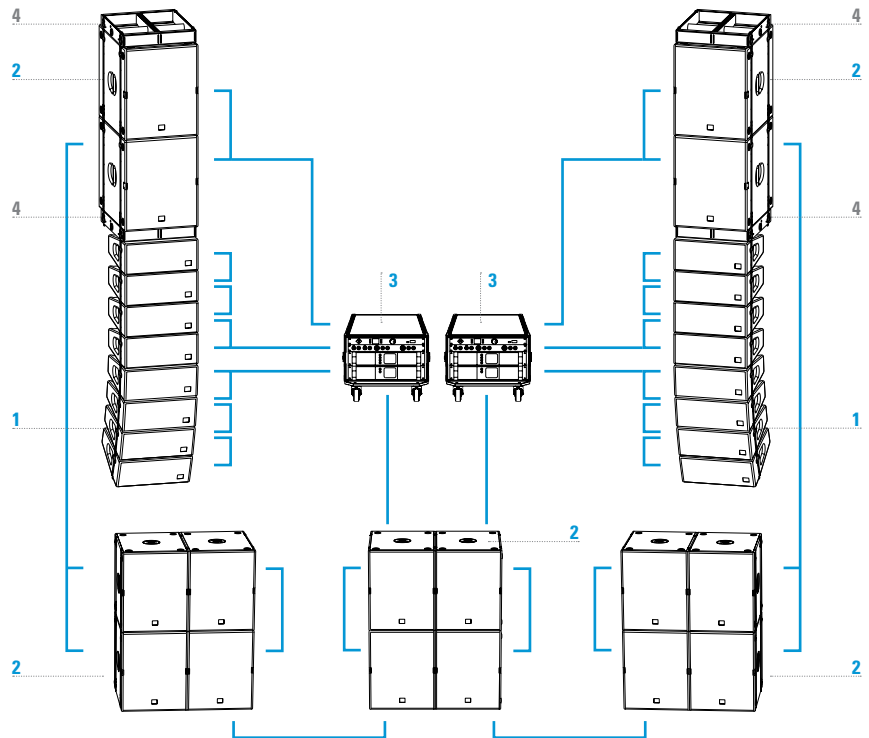


Basic-System

Components	Order No.
1 8 x Galeo S	00450/100
2 8 x Galeo S Sub	00460
3 System Rack	10510
HDLM 8	01402
Connection Panel	01407/biamp
LAB FP 9000	01621
LAB FP 14000	01626
Accessories	Order No.
4 2 x Flying Frame	01310

Tour-System

Components	Order No.
1 16 x Galeo S	00450/70
2 16 x Galeo S Sub	00460
3 2 x System Rack	10510
HDLM 8	01402
Connection Panel	01407/biamp
LAB FP 9000	01621
LAB FP 14000	01626
Accessories	Order No.
4 4 x Flying Frame	01310



Flying Frame



for Galeo S / Galeo S Sub,
incl. accessories
(3 pcs. 6 x 20 mm ball lock pins,
load adapter and 100 mm distance
bar) - also for ground stack.
Order No. **01310**

Flying Cradle



for Galeo S, incl. accessories
(3 pcs. 6 x 20 mm ball lock pins,
load adapter and
100 mm distance bar) -
also for ground stack
Order No. **01312**

Stacking Board



fits: Galeo S Sub, G Sub 1501,
G Sub, K Sub 1502, K Sub 1801
Order No. **01396/S**

Clamp Adapter



for Galeo S / Galeo S Sub,
flying frame and flying cradle-> truss
Order No. **01313**

Load Adapter



for Galeo S / Galeo S Sub,
flying frame and flying cradle
Order No. **01311**

Ball Lock Pin



for Galeo S / Galeo S Sub,
flying frame and flying cradle
6,0 x 20,0 mm
Order No. **01380/6x20**

Shackle



heavy duty with safety device,
WLL 1500 kg
Order No. **01372/1500 kg**

Patch Cable



for Galeo S
Order No. **08448/S**

Lashing Straps



Safetex 25A-B-1-DR, 0,8 t, one-piece,
length: 6 m, width: 25 mm
Order No. **01320**



Safetex 35A-B-1-DR, 2,0 t, one-piece,
length: 6 m, width: 35 mm
Order No. **01325**



Stacking Board



Load Adapter



Clamp Adapter

AMR Reflectors 100°



for Galeo T / Galeo S,
consisting of 2 pcs.
AMR reflectors 100°,
incl. fittings
Order No. **08141/100**

AMR Reflectors 70°



for Galeo T / Galeo S,
consisting of 2 pcs.
AMR reflectors 70°,
incl. fittings
Order No. **08141/70**

Dolly



for Galeo S, up to 12 stacked units,
stackable
Order No. **01261**

Utility-Box



for Galeo S-Dolly,
fits for 2 pcs. flying frames
and accessories
Order No. **01261/UB**

Universal Bag



for 2 x pcs. flying frames or
flying cradles, with side pocket
62,0 x 23,0 x 51,0 cm
Order No. **01227**

19" Rack



6 units, prepared for 2 x LAB Amps,
HDLM 8, Connection Panel,
incl. internal cabling and installation
Order No. **10510**

Flight Case



for 4 pcs. Galeo S units and
1 x Flying Frame (insert for accessories),
heavy duty, 9 mm birch multiplex, PVC
coated, 8 x recessed sprung handles,
2 x butterfly catches, 4 x 100 mm blue
wheels, 2 pcs. with brake, interior lined
with felt
Size (H x W x D): 97 x 58 x 62 cm
Order No. **16440**



Flight Case



Utility-Box



Dolly



Utility-Box