



This system, which is known as a „Curved Cylindrical Wave Radiator“, comprises six 8” low-mid range drivers and three 1.4” drivers featuring the same technology as the GALEO line array. However, the G 3 has a fixed vertical directivity of 20 degrees. By simply interchanging the two halves of the horn located on the front, horizontal directivity can be increased from 80 to 120 degrees. Throw, maximum distortion-free sound level and precision of directivity are higher than those offered by comparable horn systems. Using screw-on flying fittings, several G 3 systems can also be combined into a larger PA system. Due to the high sound level already obtained at 80 Hz, the system can also be complemented by large 18” or 21” subwoofers. The G 3 is a 2-way active operated system. The tilt and pivot frame included as standard facilitates simple alignment of the system. Both ground stacked and flown applications are possible.

PRODUCT SPECIFICATIONS

Speaker Components	6 x 8” Nd / 3 x 1,4” Nd
Description	Curved Cylindric Wave Radiator
Power <small>AES / Peak</small>	LF: 1500 W / 4500 W HF: 225 W / 675 W
Impedance <small>nominal</small>	LF: 5,3 Ω / HF: 5,3 Ω
SPL <small>1 W / Peak @ 1 m</small>	LF: 104 dB / 138 dB HF: 111 dB / 140 dB
Usable Range	80 Hz - 18 kHz (-6 dB)
Tuning Frequency <small>excursion minimum</small>	90 Hz
X - Overpoint <small>acoustical</small>	Depends on preset
Coverage <small>horizontal / vertical</small>	120° x 20° (120°-version) 80° x 20° (80°-version)
Mechanical Splay Angle	12°
Connectors	2 x Neutrik Speakon NL4MP in/out Coding: 1 +/- HF, 2 +/- LF
Handles	2 x
Rigging / Fittings	8 x M10 Inclusive flying bracket
Weight	41,5 kg
Size <small>height x width x depth</small>	67,1 x 51,2 x 48,2 cm
Order No.	00550/120 (120°-version) 00550/80 (80°-version)



Ground stacking with Flying Bracket.

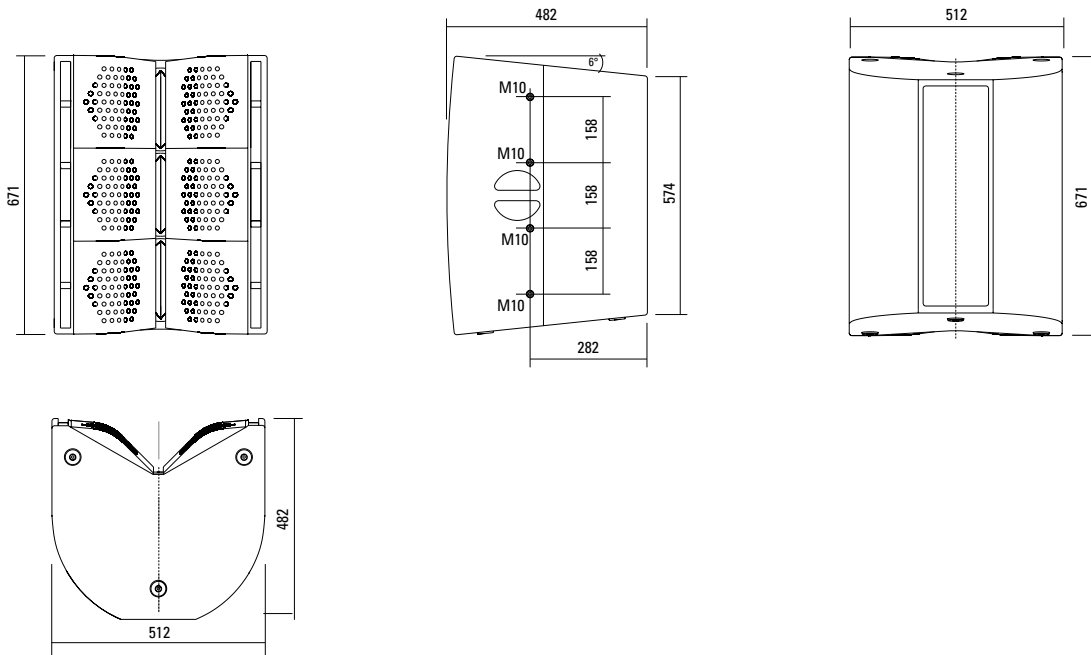


Flown Application.



Screw-on connection fittings for connection with more G 3 systems.

DIMENSIONS



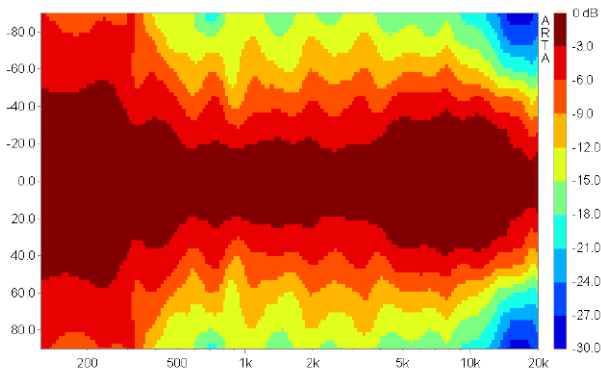
Controller Setups are available on our website:

<http://www.seeburg.net/downloads.php>

COVERAGE PATTERNS

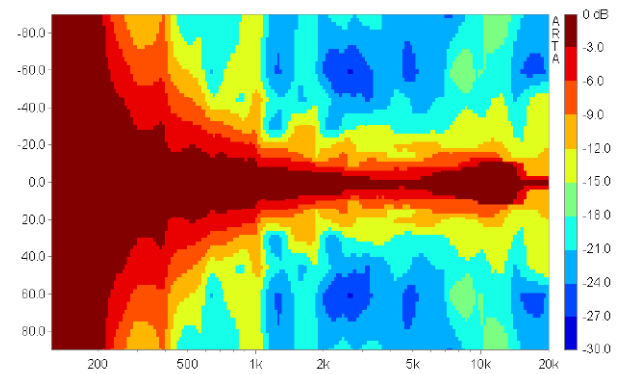
G 3 horizontal - 2D Directivity Plot (80° AMR® reflectors)

The smooth 80° horizontal dispersion from 500 Hz on.



G 3 vertikal - 2D Directivity Plot

Very precise 20° vertical dispersion.



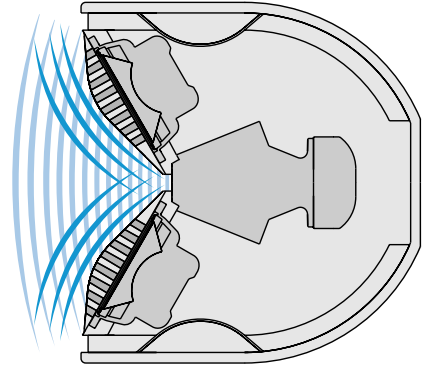
AMR® PRINCIPLE



AMR® Principle.

The AMR horn panels contain integrated channels which allow the sound waves generated by the low-mid speakers mounted behind the horn to pass through. For sound waves in the frequency range generated by the 1.4" HF driver, these channels behave as if they were sealed, due to the air mass inside the channels acting as a reflector (AMR = Air Mass Reflection).

The low-mid speakers are coupled to an acoustical band pass filter with a center frequency close to the crossover frequency between the Mid and HF drivers. This construction provides smooth horizontal dispersion over a wide frequency range. Another asset is the extreme compactness of this design.



AMR® Reflectors.

By exchanging the AMR Reflectors, the horizontal dispersion can be changed from 80° to 120° and back according to demand.



120° AMR Horn Panel.



80° AMR Horn Panel.

The more tightly bundled 80°- version of the G 3 system was developed especially for narrower audience areas. Thanks to the patented „Air Mass Reflection“ principle, it is characterised by extremely precise and even directivity.

APPLICATIONS



3 x G 3

Up to three G 3 systems can be flown together.

Flown Application.



Connection Fittings

Two or three G 3 systems can be combined by the use of screw-on connection fittings.



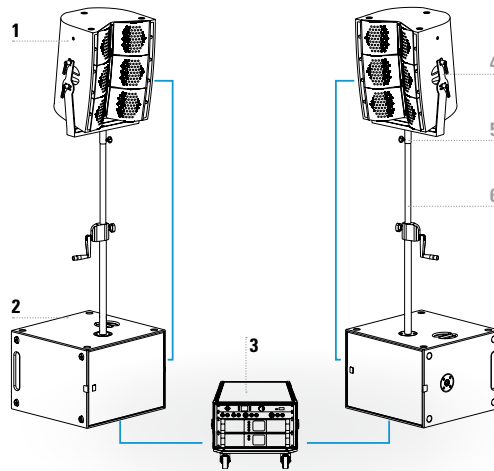
2 x G 3

The system can be aligned easily by the use of the tilt swivel bracket.



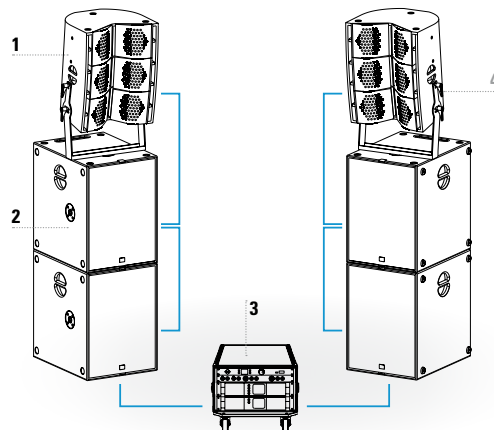
The G 3 systems.

A single G3 system already corresponds to 3 units of the Galeo line array system, therefore the dispersion is much more precise than the one of any horn loaded system. This increases the throw of the system and greatly reduces the spill beyond the nominal coverage. The system can be used flown or ground stacked and is easily extendable. Whilst the basic system can be used in clubs or for small open air events, the XL system is suitable for shows with an audience of up to 5.000 persons.



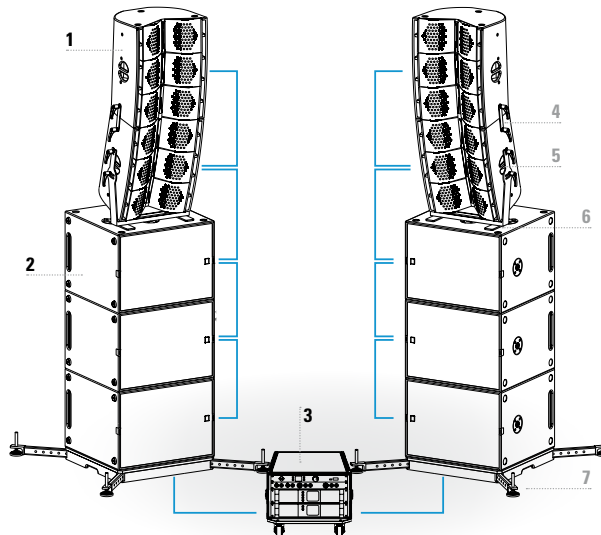
Basic System

Components	Order No.
1 2 x G 3	00550
2 2 x G Sub High power 18"Nd hybrid bass horn	00600
3 System Rack	10510
HDLM 8	01402
Connection Panel	01407/biamp
LAB FP 10000	01620
LAB FP 14000	01626
Accessories	Order No.
4 Flying Bracket	01350/set
5 Flange	08127
6 Speaker Pole	03023



Standard System

Components	Order No.
1 2 x G 3	00550
2 4 x G Sub High power 18"Nd hybrid bass horn	00600
3 System Rack	10510
HDLM 8	01402
Connection Panel	01407/biamp
LAB FP 10000	01620
LAB FP 14000	01626
Accessories	Order No.
4 Flying Bracket	01350/set



XL System

Components	Order No.
1 4 x G 3	00550
2 6 x G Sub High power 18"Nd hybrid bass horn	00600
3 System Rack	10510
HDLM 8	01402
Connection Panel	01407/biamp
LAB FP 10000	01620
LAB FP 14000	01626
Accessories	Order No.
4 Connection Bar,short	08146/set
5 Flying Bracket	01350/set
6 Stabilisation	01350/stab/set
7 Ground Stacking Board	01394



Flying Bracket

for G 3 incl. accessories:
4 x M10 x 20 handle screws
Order No. **01350/set**



Tilt Enhancer

for G 3 bracket
Order No. **01350/tilt enhancer**



Steel Support

for groundstack, length 30 cm / 60 cm,
incl. accessories (45 mm ball lock pin,
adjustable, with add. safeguard)
Order No. **01383/60** (length 60 cm)
Order No. **01383/30** (length 30 cm)



Handle Screw

for G 3 flying bracket, adjustable
M10 x 20
Order No. **08375/20**



Ergostyle Lobe Knob

for flying brackets,
M10 x 20, with grip, adjustable
Order No. **08171**



Stabilisation

for G3 bracket
Order No. **01350/stab/set**



Connection Bar

short - for 2 units, incl. screws
Order No. **08146/set**
long - up to 4 units, incl. screws
Order No. **08147/set**



Connection Bar

G3 / G3 Connector,
only for groundstack,
for 2 units, incl. screws
Order No. **08147/G3->G3i**



Flange

for G 3 / GL 16 / GL 24 / K 24
flying bracket,
M20 x 35 mm \varnothing with nut,
incl. M20 x 20 socket head screw
Order No. **08127/nut**



Doughty Trigger Clamp

for flying brackets,
SWL 200 kg
Order No. **01222**



Steel Safety Cable

4 mm - 50 cm
Order No. **01376**



Chain Fastener

VBS 7 mm
Order No. **01378**



Ring Screw

M10- DIN 580
Order No. **73700**
M20- DIN 580
Order No. **73900**



Tilt Enhancer.

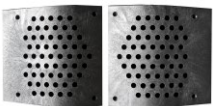
ACCESSORIES G 3

AMR Reflectors 120°



for G 3 / Galeo,
consisting of 2 pcs.
AMR reflectors 120°,
incl. fittings
Order No. **08141/120**

AMR Reflectors 80°



for G 3 / Galeo,
consisting of 2 pcs.
AMR reflectors 80°,
incl. fittings
Order No. **08141/80**

Speaker Stand



Wind up for speaker enclosure,
50 kg max., height 129 to 204 cm
Order No. **03011**

Cover



for G 3
Order No. **01236**

Rain Cover



for G 3
Order No. **01236/outdoor**

Flight Case



for 2 pcs. G 3 units and accessories,
heavy duty, 9 mm birch multiplex, PVC
coated, loading measurements, 10 x
recessed sprung handles, 4 x butterfly
catches, 2 x scanner windows, 4 x 100
mm blue wheels, 2 pcs. with brake,
partition walls, interior lined with felt
Order No. **16007**

19" Rack



6 units, prepared for 2 x LAB Amps,
HDLM 8, Connection Panel,
incl. internal cabling and installation
Order No. **10510**



Rain Cover.