



**AIRflat®**  
ABSORBENT PANEL



Image of 120x60cm model Ref.:MTAF050

## DESCRIPTION

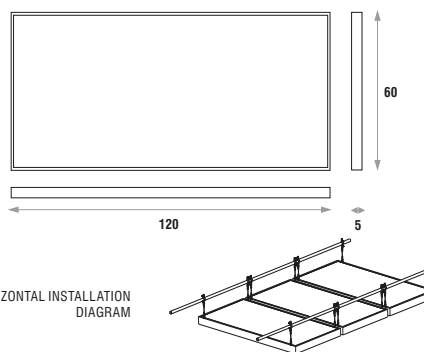
The AIRflat® is an additional option as an absorption panel. This panel's structure is made on an aluminum frame, which gives the product a good robustness; the absorbent layer is built in a mineral fiber plate with viselike fabric that makes the finishing.

It is mainly meant for stadiums, large halls, airports, subways and bus stations, as well as for industrial applications. It can also be applied in moist environments or outdoors.

The AIRflat® is available in several colors with the same acoustic features. It is easy to install hanging on ceilings.

The typical public and industrial spaces require an adequate planning of acoustics in order to provide good noise control and sound reception. This product provides a good absorption coefficient at mid frequency range, exactly within the area where the largest common noise occur.

## TECHNICAL DRAWINGS



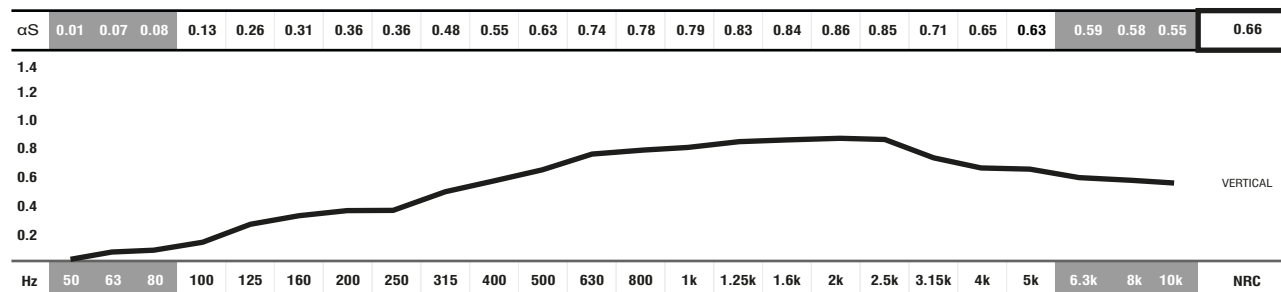
## FEATURES

- Made on an aluminium frame and different raw absorbent materials inside.
- NRC: **0.66/m<sup>2</sup>**.
- Fire-resistance: B-s1,d1 (similar to old M1).
- Several combinations and positioning.
- Good robustness and airborne noise control.
- Can be used in different environments.
- Suitable for areas with large space, subways, stadiums, airports and bus stations, pavilions as well as for public or industrial facilities.

## MODELS AND SIZES

MODELS	HEIGHT	WIDTH	DEPTH	WEIGHT
MTAF050	120 cm	60 cm	5 cm	4 Kg

## ABSORPTION COEFFICIENT



■ ABSORPTION COEFFICIENT: Values in accordance with the standards: EN 20654, ASTM C423 and EN 11654.

■ Values [ $<100\text{Hz}$  and  $>5\text{K}$ ] are Non Standard Values.

## STANDARD COLOURS



## IMPORTANT NOTICES

- JOCAVI® accepts no responsibility for any printing errors. Specifications can be modified without prior notice, if technical or commercial reasons so require.
- The colours shown on this catalogue are only a reference and an illustration of the products finishing. The colours shown are not binding because brightness, contrast and colour balance may vary due to the printing process.
- Colours may vary due to raw-material suppliers' changes and some differences may occur in tonal range. Close attention must be paid to the storage conditions and the acclimatization before, during and after the installation.
- Typical Indoor Comfort Standards state a temperature range of 20°C - 27°C (68°F - 81°F), and a relative humidity of less than 60%. These would be considered as normal operational levels of JOCAVI® products' range.
- Despite all the standard sizes of all products, this model can be customised upon previous consultation. Sizes may vary slightly due to their production method and some inherent raw-materials characteristics.