



Multifunctional 15" / 1" cabinet with a very broad frequency range and well balanced sound characteristics. With performance similar to the A 6, but with extended bass response, the A 8 is a universal full range audio tool. A variety of M8 and M10 mounting points provide for easy mounting of the accessory hardware and installation. The system is also available in the AF 8 version optimised for permanent installation.

PRODUCT SPECIFICATIONS

Speaker Components	15" Nd / 1"
Description	Multi Purpose Sound System
Power AES / Peak	500 W / 1500 W
Impedance nominal	8 Ω
SPL 1 W / Peak @ 1 m	99 dB / 131 dB
Usable Range	50 Hz - 20 kHz (-10 dB)
Tuning Frequency Excursion minimum	50 Hz
X - Overpoint acoustical	1,3 kHz
Coverage horizontal / vertical	90° x 60° - rotatable
Max. Splay Angle	- - -
Connectors	2 x Neutrik Speakon NL4MP in/out Coding: 1 +/- HiMid, 2 +/- loop thru
Handles	2 x
Rigging / Fittings	2 x M10 / 7 x M8 35 mm pole mount
Weight	23,5 kg
Size height x width x depth	69,8 x 45,0 x 42,5 cm
Order No.	00270/II 00270/AF/II (installation version)



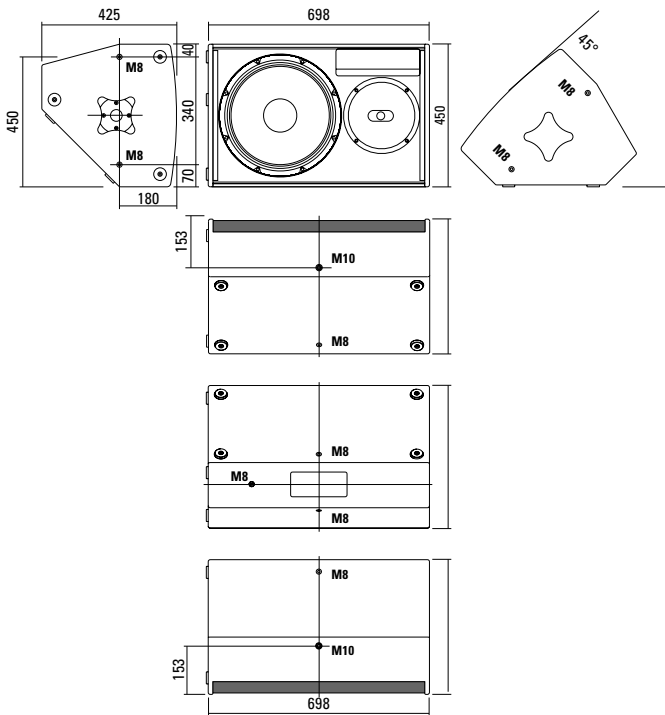
The 35 mm threaded stand socket is integrated in the carrying handle.



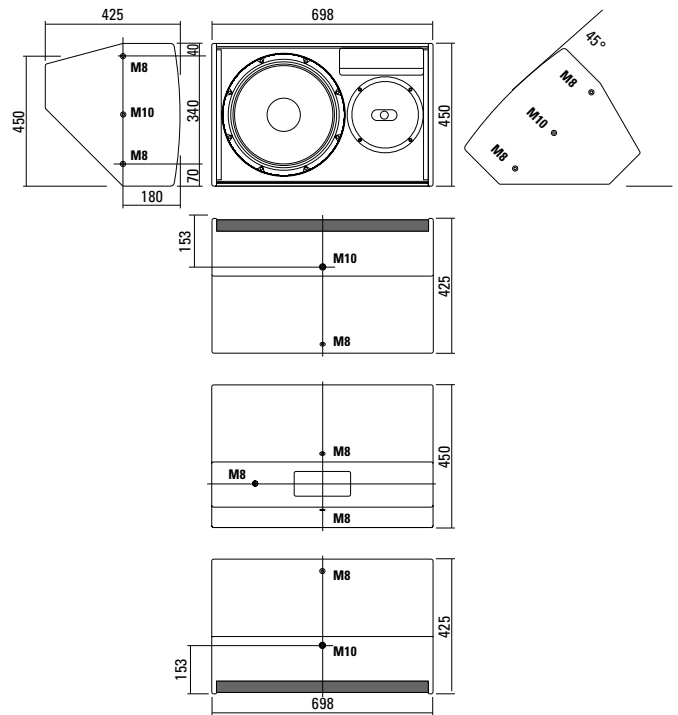
Connection Panel.



DIMENSIONS



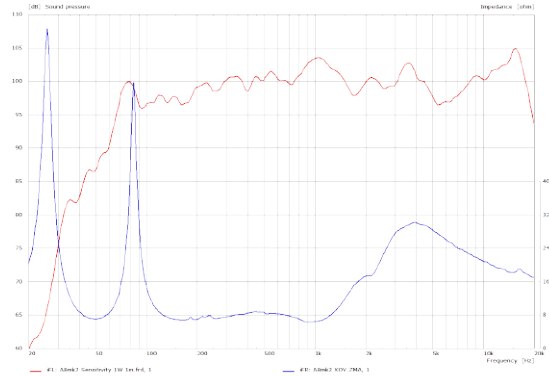
Installation Version AF 8



Controller Setups are available on our website:

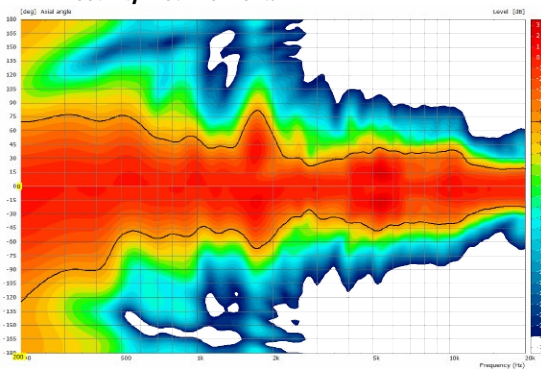
<http://www.seeburg.net/downloads.php>

Sensitivity 1 W @ 1 m + Impedance

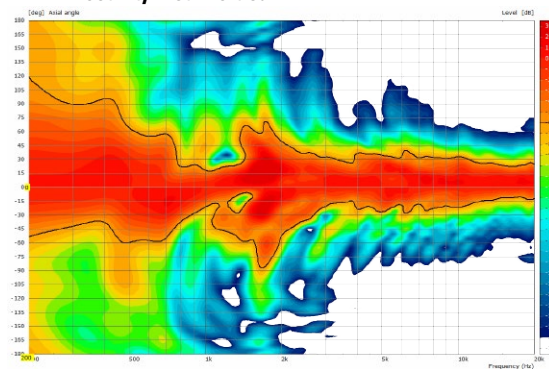


COVERAGE PATTERNS

2D Directivity Plot - horizontal



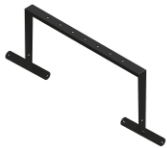
2D Directivity Plot - vertical





Flying Bracket

for A 8 / TSM 15 / F 8
incl. screws
(per unit: 2 pcs. M10 x 30 adjustable
handle screws with axial bearing)
Order No. **01217/set**



Flying Bracket

for A 8 / TSM 15 / F 8
horizontal alignment, incl. screws
(per unit: 2 pcs. adapters, M10 hex
lock nuts, flat- and rubber washers)
Order No. **01217/H/set**



Handle Screw

for flying brackets,
axial bearing
M10 x 30
Order No. **08374**



Ergostyle Lobe Knob

for flying brackets,
M10 x20, with grip, adjustable
Order No. **08171**



Flange

for flying brackets,
35 mm Ø → M10,
Order No. **08126**



Rubber Washer

for flying brackets,
40 mm
Order No. **01205**



Doughty Trigger Clamp

for flying brackets,
SWL 200 kg
Order No. **01222**



Steel Safety Cable

4 mm - 50 cm
Order No. **01376**



Chain Fastener

VBS 7 mm
Order No. **01378**



Ring Screw

M10- DIN 580
Order No. **73700**



TV Spigot

10 mm internal thread,
28 mm Ø
Order No. **08128**

ACCESSORIES A 8

Wall Mount



for U-brackets, 40 kg max., incl. screws
(M10 x 70 mm socket head screw,
M10 hex lock nut and flat washer)

for 15" speakers
Order No. **08130/F400**

Wall Mount



with tilt unit, 40 kg max.
Order No. **08130**

Speaker Stand



Incl. wind up, 50 kg max.,
height 129 to 204 cm, K&M

Order No. **03011**

50 kg max., K&M
Order No. **03010**

Hexagon Grille



for A 8 front grille version,
for replacement, foam behind

Order No. **97012/hex/compl.**

Cover



for A 8 / TSM 15,
padded

Order No. **01240**

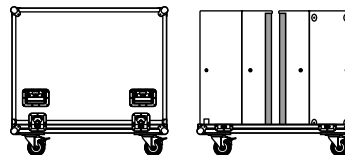
Rain Cover



for A 8 / TSM 15

Order No. **01240/outdoor**

Flight Case



for 2 pcs. TSM 15 / A 8 / A 8 Sub,
heavy duty, 9,0 mm birch multiplex,
PVC coated, 6 x recessed sprung hand-
les, 4 x butterfly catches, 4 x 100 mm
blue wheels, 2 pcs. with brake, interior
lined with felt.

Order No. **16012/pro**